

Index

Main features	1
PRECAUTIONS	3
Parts • Settings • Installation	5
Parts	5
Settings	6
Installation	9
Connection	15
Operation	17
Problems & settlement	21
Dimension & technical specifications	23
Dimension	23
technical specifications	24

Basic function:

Middle speed dome

pan speed: maximum 120°, tilt speed: maximum 90°, 128 preset, 8 cruise tour, 1 auto scan.

low speed dome

pan speed: maximum 90°, tilt speed: maximum 60°, 64 preset, 4 cruise tour, 1 auto scan.

may get too high, or where there is a lot of dust.

■ **Protect from high temperatures**

- Do not install close to stoves, or other heat sources, such as spotlights, etc., or where it could be subject to direct sunlight, as this could cause deformation, discoloration or other damages.
- Be careful when installing close to the ceiling, in a kitchen or boiler room, as the temperature may rise to high levels.

■ **Cleaning**

- Dirt can be removed from the cabinet by wiping it with a soft cloth. To remove stains, wipe with a soft cloth moistened with a soft detergent solution and wrung dry, then dry by wiping with a soft cloth.
- Do not use benzene, thinner or other chemical products on the cabinet, as this may cause deformation and paint peeling. Before using a chemical cloth, make sure to read all accompanying instructions. Make sure that no plastic or rubber material comes into contact with the cabinet for a long period of time, as this may cause damage or paint peeling.

● **Setup location**

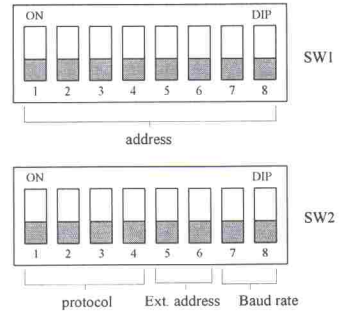
To take the following points into consideration when setting up the camera

- The wall or ceiling used for installation should have enough strength to bear approximately 4 times the combined weight of the camera and bracket. Select a wall or ceiling that is strong enough to bear such a weight.
- Select a wall or ceiling surface that is completely flat, so that there will be no space between the base of the bracket and the wall.
- Please ensure the positions should be in the scope, no object to block the camera

● **SETTINGS**

The dip-switch pillar is to set protocol, Baud rate, address, etc., please follow the manual in the drive unit to set, also can refer to followings.

·Protocol and Baud rate settings (SW302)



All dip-switch is OFF In initialization, that is Address is "0, it can control the speed dome by any address.

● **Protocol settings**

The speed dome supports following protocols:

SW2 Protocol				
Dip Switch	1	2	3	4
Auto-match	<input type="radio"/>	<input type="radio"/>	<input type="radio"/>	<input type="radio"/>
PELCO P	<input checked="" type="radio"/>	<input type="radio"/>	<input type="radio"/>	<input type="radio"/>
PELCO D	<input type="radio"/>	<input checked="" type="radio"/>	<input type="radio"/>	<input type="radio"/>

- ④ *If the dip-switch of protocol is not set in the speed dome, it will go to Auto-match.*
- ④ *It can integrate other more protocols, please contact with manufacturer for details*

● **Baud rate**

The speed dome supports 4 baud rate, as followings:

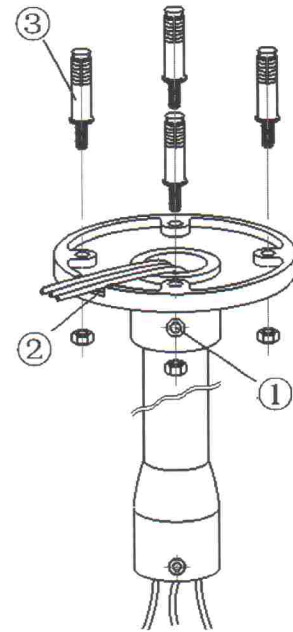
SW2 Baud rate		
Dip Switch	7	8
2400	<input checked="" type="radio"/>	<input type="radio"/>
4800	<input type="radio"/>	<input checked="" type="radio"/>
9600	<input type="radio"/>	<input type="radio"/>
19200	<input checked="" type="radio"/>	<input checked="" type="radio"/>

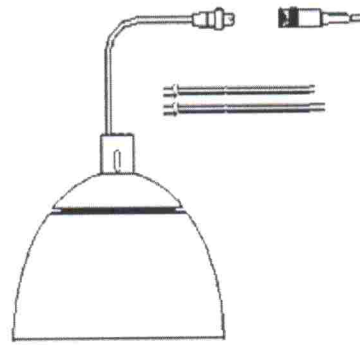
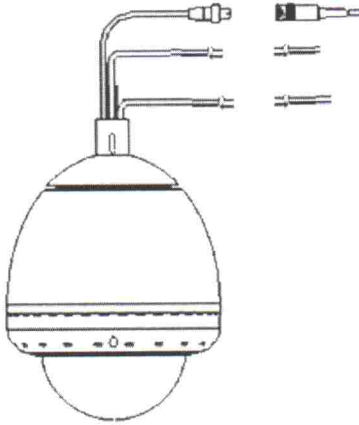
Pendant bracket Installation to a ceiling

- ① Loosen the bolts of the bracket base ①, and then turn the bracket base to remove it.
- ② While aligning the bracket base with the setup position, make four marks on the ceiling at the mounting bolt locations. Then make holes in these locations for the four bolts and insert the bolts.
- ③ Make a hole for the connection cables in the ceiling in the middle of the bracket installation surface, and pull the cables all together through the ceiling to the outside. If routing the cables along the surface of the ceiling, to use the cable groove in the bracket base ②.
- ④ Pass the cables through the hole, and then follow the bracket base with the four bolts ③ and firmly tighten.
- ⑤ After passing the connection cables through the bracket, firmly tighten the screws ①

Important:

In practice of pendant bracket or other bracket with whole, it can not mount the bracket gets to liquid, once the water into dome inside by the bracket, it will cause the speed dome damaged immediately.



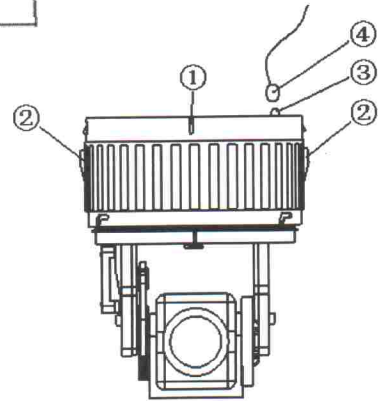


4 important

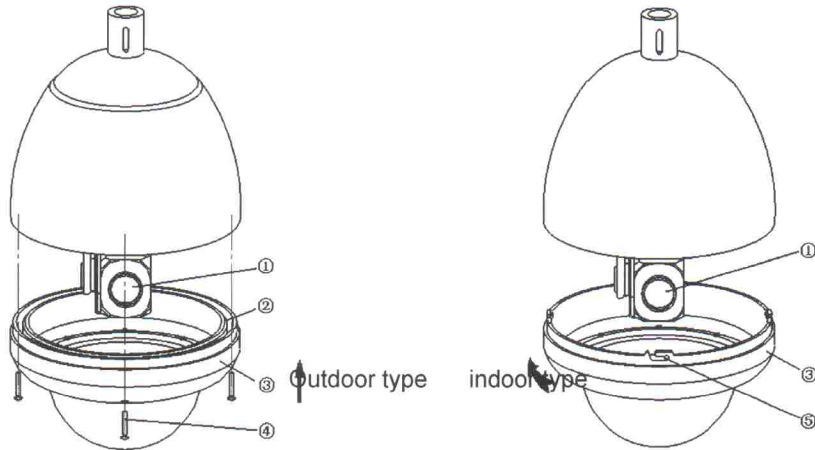
Please take care the cables inside of bracket, to ensure good connection of cables.

5 Install the camera unit.

To pull out the safe tight wire ④ and connect with the hook ③, to ensure the camera unit will fall off.



6 Install the low cover



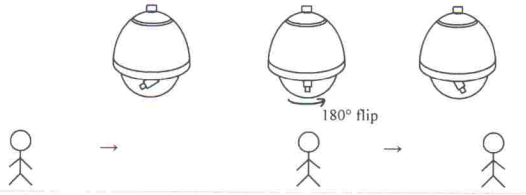
2 screws ① to fix the low cover on housing.

Attention:

- The take away the lens cover②
- When to install the outdoor housing, to check the airproof ring carefully.
- To take care the low cover, don't leave any mark on the glass bubble, which cause not good

- out of control, dome action can not match the command.
- when to control some one speed dome, other dome will move also.
- the speed dome can not effectively stop.

If to have similar situation, please ask professional to try RS485 amplifier, 120Ω terminal resistance and to check the transmission.



Advance functions

Mainly it concludes Preset, cruise tour, auto scan, etc.

Preset

To save the parameter of current position, including pan angle, tilt angle, zoom rate, etc., it can get to the position by command of preset calling.

Cruise tour

To program some presets into a command, it will call all the presets in some one cruise tour by sequence by the command (to call cruise

tour), the speed dome will move during the presets, dwell time of preset can set.

According to practice of this speed dome, as the speed dome without OSD menu, so, the preset and cruise tour will be fixed as followings:

Cruise tour 1: preset 1 to preset 32

Cruise tour 2: preset 33 to preset 64

Cruise tour 3: preset 65 to preset 96

Cruise tour 4: preset 97 to preset 128

Cruise tour 5: preset 129 to preset 160

Cruise tour 6: preset 161 to preset 192

Cruise tour 7: preset 192 to preset 224

Cruise tour 8: preset 225 to preset 255

Please note:

(1) dwell time of preset is 10 seconds in initialization

(2) every cruise tour can have maximum 32

zoom rate.

1. Operation for the advance functions

PELCO P/D protocol

According to Pelco protocol, Cruise tour, auto scan can implement by preset or preset combination command, as followings:

- Preset set, call and clean.
- Cruise tour call
- Auto scan set and call

Note:

1. to any combination command, the interval of two command can not be more than 6 seconds, if not, it will regard two commands.
- 2, to the function, such as cruise tour, it should be according to the speed dome type, e.g.

Cruise tour call

Preset 95+ preset "n"

Preset "n" is cruise tour number.

Auto scan set

Preset 95+ preset 92 to set Left limit

Preset 95+ preset 93 to set Right limit

Cruise tour call

Preset 95+ preset 99 to call

Function and operation of other protocol

Description for function and operation of other protocol should update.

middle speed dome is with 4 cruise tour, low speed dome is with 4 cruise tour only.

- 3, in some camera module, as special function of zoom, it will cause focus dim, please adjust by preset 95 + Far/Near
- 4, other function special for some customer, it will list individually.

Image is not stable	Connection of Video cable is not good	Connect the video cable again
	Strong interferential source near the speed dome or the cables	To mask or move away the interferential source
abnormal control of dome	The data cable is interfered, or control ability is not enough	Data amplifier or terminal resistance
<i>If the problem with the speed dome can not fix or confirm, please refer to the local distributor</i>		

■ Specifications

Pan movement	360° continuous
Tilt movement	-5°~185°
Manual pan speed	Middle speed dome: 120°/s, low speed dome: 90°/s
Preset speed	180°/s
Precision	<0.5°
preset	Middle speed dome: 128, low speed dome: 64
Cruise tour	Middle speed dome: 8, low speed dome: 4, max. 32 preset per cruise
Auto scan	1, scan between 2 point continuously
Temperature	Indoor type:-10℃~40℃
	outdoor type:-30℃~+55℃
Power supply	24VAC±15%, 50Hz
Power consumption	Indoor type: 8W
	outdoor type: 8W browse on:12W heater on: 37W

