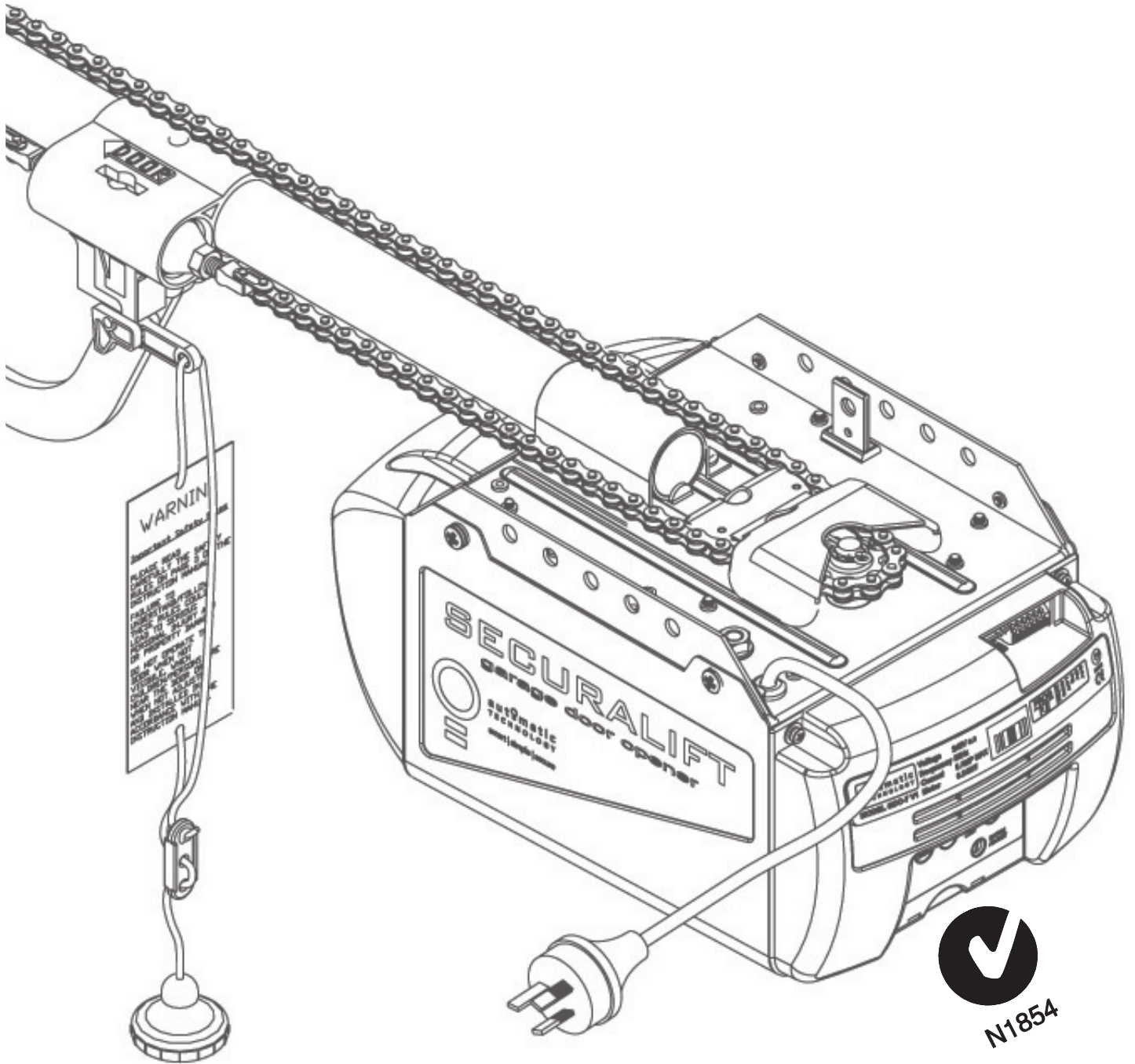


automatic
TECHNOLOGY

GDO-7V1 SecuraLift® Overhead Garage Door Opener



Installation Instructions

OWNERS COPY

P/N 13228

Warning: It is vital for the safety of persons to follow all instructions. Failure to comply with the installation instructions and the safety warnings may result in serious personal injury and/or property and remote control opener damage. Please save these instructions for future reference.






















CONTENTS

Safety Precautions	3
Opener Features	4
Operating Controls	5
Kit Contents	7
Installation	8
Tube Pipe Assembly	8
Determine Door Type	9
Mounting - Track Type Door	10
Using inbuilt antivibration brackets	11
Mounting - Spring Loaded Door	12
Mounting Door Bracket & Arms	13
Easy Access Transmitter	13
Programming the Opener	14
Setting Travel Limits - Control Pane	14
Setting Travel Limits - Transmitter	15
Safety Obstruction Force Test	16
Coding Transmitters	17
Door	17
Courtesy Light	17
Vacation Mode	17
Pet Mode	17
Storing Transmitter From Remote Location	18
Erasing Transmitter Codes	18
Accessories	19
Photo Electric Beam	19
Auto-Close	19
Final Set Up	20
Courtesy Light Time	19
Pet Mode Door Height	19
Transmitter Wall Bracket	19
Re-Initializing	19
Parameter	21
Door Status Indicators	21
System Specification	23
Factory Default Settings	22
Trouble Shooting Guide	24
Maintenance Record	25
Parts List	26
Warranty	28

Automatic Technology Australia Pty Ltd to the extent that such may be lawfully excluded hereby expressly disclaims all conditions or warranties, statutory or otherwise which may be implied by laws as conditions or warranties of purchase of an Automatic Technology Australia Pty Ltd Garage Door Opener. Automatic Technology Australia Pty Ltd hereby further expressly excludes all or any liability for any injury, damage, cost, expense or claim whatsoever suffered by any person as a result whether directly or indirectly from failure to install the Automatic Technology Australia Pty Ltd Garage Door Opener in accordance with these installation instructions.

SAFETY PRECAUTIONS

Warning - It is vital for the safety of persons to follow all instructions. Failure to comply with the following Safety Rules may result in serious personal injury and/or property damage.

-  Caution: If your garage has no pedestrian entrance door, an emergency access device should be installed. This accessory allows manual operation of the garage door from outside in case of power failure.
-  For ADDITIONAL SAFETY protection we STRONGLY recommend the fitting of a Photo Electric Beam. In most countries Photo Electric Beams are mandatory on all garage doors fitted with automatic openers. For a small additional outlay ATA recommends that Photo Electric Beams be installed with the automatic opener ensuring additional safety and peace of mind.
-  DO NOT operate the garage door opener unless the garage door is in full view and free from objects such as cars and children/people. Make sure that the door has finished moving before entering or leaving the garage.
-  DO NOT operate the garage door opener when children/persons are near the door. Children must be supervised near the garage door at all times when the door opener is in use. SERIOUS PERSONAL INJURY and/or property damage can result from failure to follow this warning.
-  DO NOT allow children to operate the garage door opener. SERIOUS PERSONAL INJURY and/or property damage can result from failure to follow this warning.
-  Regularly check to make sure that the SAFETY OBSTRUCTION FORCE is working correctly, and is TESTED (by placing a 50mm high object on the floor) and set as per the Installation Instructions Manual. Failure to follow the manual could result in SERIOUS PERSONAL INJURY and/or property damage. This test must be repeated at regular intervals and the necessary adjustments made as required.
-  DO NOT disengage the door opener to manual operation with children/persons or any other objects including motor vehicles within the doorway.
-  The door opener is not intended for use by young children or infirm persons without adequate supervision. Children should be supervised to ensure that they do not play with the remote transmitters or the opener.
-  Keep hands and loose clothing CLEAR of the door and door opener at all times.
-  The unit should be installed so that it is protected from the elements. It should not be exposed to water or rain. It is not to be immersed in water or sprayed directly by a hose or other water carrying device.
-  The garage door must be WELL BALANCED. Sticking or binding doors must be repaired by a qualified garage door installer prior to installation of the opener.
-  Frequently examine the installation, in particular cables, springs and mountings for signs of wear, damage or imbalance. DO NOT use if repair or adjustment is needed since a fault in the installation or an incorrectly balanced door may cause injury. DO NOT attempt to repair the door yourself as hardware is under extreme tension.
-  REMOVE OR DISENGAGE all garage door locks and mechanisms prior to installation of the opener.
-  Connect the garage door opener to a properly EARTHED general purpose 240V mains power outlet installed by a qualified electrical contractor.
-  DISCONNECT THE POWER CORD from mains power before making any repairs or removing covers. Only EXPERIENCED service personnel should remove covers from the garage door opener.
-  When using auto close mode, a PHOTO ELECTRIC BEAM must be fitted correctly and tested for operation at regular intervals. EXTREME CAUTION is recommended when using auto close mode. ALL SAFETY RULES must be followed.
-  In order for the garage door opener to SENSE an object obstructing the door way, some FORCE must be exerted on the object. As a result the object, door and/or person may suffer DAMAGE or INJURY.
-  If the power supply cord is damaged, it MUST be replaced by an ATA service agent or suitably qualified person.
-  Make sure that the door is fully open before driving in or out of the garage and fully closed before leaving the driveway.
-  Make sure that remote controls are kept out of reach of children.
-  Install the wall switch or wall mounted transmitter in a location where it is out of reach of children and the garage door is visible.

FEATURES

Thank you for purchasing the ATA SecuraLift® Automatic Garage Door Opener. This opener is designed to suit sectional overhead and one piece tilt up doors. The components and materials used in this opener are of the latest technology and highest quality. Listed below are some of the many features.

OPERATION

To open or close the door simply press the hand held transmitter, the wall mounted transmitter, or optional wall switch for two seconds. During an open or close cycle the door can be stopped by pressing the button while the door is in motion. The next actuation will move the door in the opposite direction.

HOPPING CODE

Every time a transmission is made from the remote transmitter a new security code is generated. The number of possible code combinations is over 4.29 billion. This greatly enhances the security of the system. Code "grabbing" is made a thing of the past.

S-ALPS (SEMI AUTOMATIC LIMITS POSITIONING SYSTEM)

The ALPS system does away with manual adjustment of the doors' limits position using mechanical parts, such as cams and micro switches.

During installation the hand held transmitter can be programmed to set the door limits positions.

ANTI TRAVEL ELECTRONIC BRAKES

opener has anti travel electronic brake mechanism which ensure the opener stops the door at exact location

ISS (INTELLIGENT SAFETY OBSTRUCTION SYSTEM)

While the door is performing a close cycle, should it hit an obstacle or be restricted in some manner, it will automatically reverse. The amount of force the door should encounter before reversing is automatically adjusted by the doors control system during the initial installation of the automatic door opener. The door will also stop if restricted whilst opening. The Safety Obstruction Force should be checked at least once a month. See installation manual for instructions.

SECURITY CODE STORE

The SecuraLift® Garage Door Opener uses state of the art technology in storing your selected transmitter security code. Up to 24 different transmitters can be stored in the openers memory.

OVER LOAD INDICATOR

When the maximum opening and closing capacity of the opener is exceeded the red and green Limits LEDs flash alternately to indicate that an overload has occurred.

AUTO COURTESY LIGHT

The courtesy light on the opener comes on automatically whenever the door is activated. The light can also be switched on and off without operating the door. This is done by pressing the button on any hand held or wall mounted transmitter which has been stored with the light code. The light will stay on for approximately three minutes then switch off. This time is also adjustable.

ANTI VIBRATION BRACKETS

opener has inbuilt antivibration brackets
hang the opener by using anti vibration brackets where noise is the problem

VACATION MODE

A hand held transmitter can be programmed to lock and unlock all other transmitters that have been programmed into the openers' memory. The vacation mode can be used when the door is left idle for long periods of time.

PET (PEDESTRIAN) MODE

The hand held transmitter can be programmed to open the door partially so that the family pet can enter and exit the garage at any time. You may also wish to open the door to a height suitable only for pedestrian access. The door opening position is also programmable.

AUTO CLOSE MODE

The opener can be programmed to automatically close after an open cycle. The auto close time is adjustable. It is compulsory to install a Photo Electric Beam if this mode is selected, otherwise the door may cause personal injury or damage to property.

PHOTO ELECTRIC BEAM (OPTIONAL)

The opener has an input for a photo electric beam to be connected for extra safety protection and use of the auto close mode.

MANUAL OPERATION

The opener is equipped with a unique manual disengaging device. If the power to the opener is disrupted for any reason the door can be put into manual mode by pulling down on the string handle on an angle towards the door. This will allow you to manually open or close the door. To re-engage the opener pull the string handle away from the door.

OPERATING CONTROLS

1. P. E. SHUNT. The shunt has to be removed when connecting a Photo Electric Beam.

NOTE: P.E. SHUNT must not be removed otherwise the opener will not function correctly. Remove only when a P.E beam is to be connected.

PROG INPUT is used for the connection of the ATA Handheld Programmer for the purpose of editing control and receiver functions.

2. Terminal Block. 24V PWR is used to power devices such as photo electric beams.

PE (Input) for photo electric beam for safety and auto-close function.

LGT (Input) allow hard wired external trigger for the opener's courtesy light.

O/S/C INPUT is used for the connection of a wired switch (momentary contact). This switch can then be used to open, stop or close the door. Install the wall switch in a location where the switch is out of reach of children and the garage door is visible.

3. SET button (yellow) is used during the installation phase together with the Open and Close buttons to set the door limit positions. The Set button is also used to re-initialize the Opener.

4. OPERATE button (Yellow) is used during installation to test the open, stop and close cycles for the opener. The opener has to be initialized by the Reset button before the O/S/C button becomes operable.

5. PLUS (+) button (green) is used during installation to help set the open limit position. Pressing and holding this button will move the door in the open direction. Movement stops when the button is released.

NOTE: The open safety obstruction detection is inoperable whenever the Open or Close Drive button is used to move door.

6. OPEN LIMIT LED (green) the led is very helpful during installation. It illuminates and flashes when the door is opening and remains steady on when the open limit position has been reached.

7. FORCE MARGIN SET Button The obstruction force pressure is set automatically by the opener during installation. The pressure can be adjusted manually using the Force Margin Set button (White). Holding the Force Margin Set button and pressing the Plus (+) or Minus (-) button will increase or decrease the amount of force. The Force Margin Set is only ever used if other environmental factors (wind, etc.) effect the operations of the door/opener.

8. LIGHT CODE button (white) is used for storing or erasing the transmitter button (code) you wish to use to switch the courtesy light on the opener on or off.

9. CODING LED (red) light flashes when a code is being stored or when a transmitter button is pressed.

10. DOOR CODE button (blue) is used for storing or erasing the transmitter button you wish to use to command the door to open, stop or close.

11. DOOR STATUS LED (Yellow)

12. MINUS (-) button (red) is used during installation to help set the close limit position. Pressing and holding this button will move the door in the close direction. Movement stops when the button is released.

NOTE: The close safety obstruction detection is inoperable whenever the Open or Close Drive button is used to move door.

13. CLOSE LIMIT LED (red) the led is very helpful during installation. It illuminates and flashes when the door is closing and remains steady on when the close limit position has been reached.

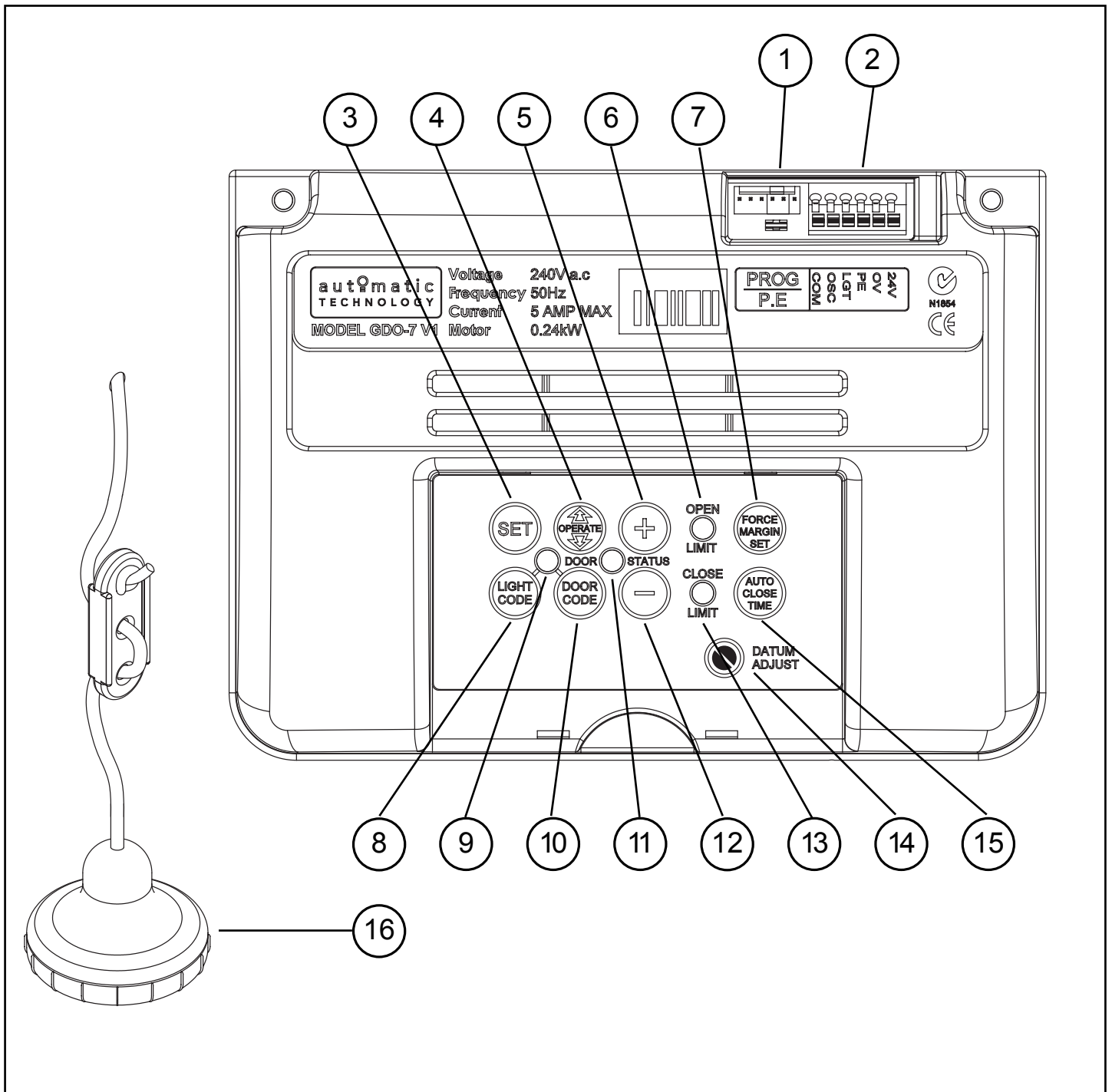
14. DATUM ADJUST SCREW is used during limits set up to indicate the mid point of the door's travel.

15. AUTO CLOSE TIME button (White) is used to adjust the auto close time. While holding in the auto close button and then pressing the open button the time is increased. Each press will increase the time by 5 seconds. Pressing the close button will decrease the time.

16. ENGAGE/DISENGAGEMENT CORD when pulled down and released this will select manual mode on the opener, particularly when there is a power failure. Pulling down and again releasing will select automatic mode on the opener. The length of the string is adjustable.

17. EASY ACCESS TRANSMITTER The "manual release" engage/disengagement handle has within its housing a wireless transmitter. If the button is pressed it will open, stop or close the garage door.

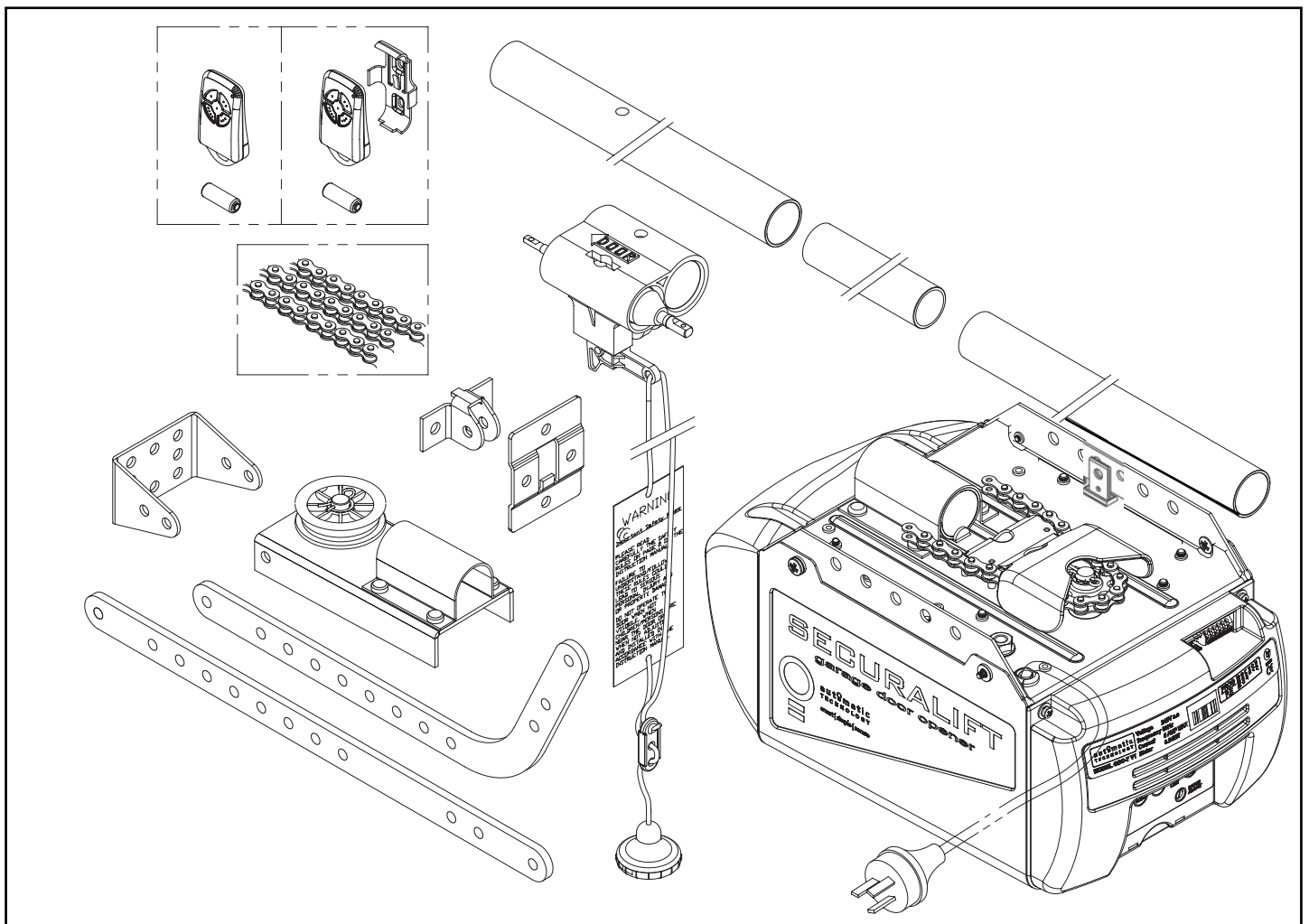
OPERATING CONTROLS



- | | | | |
|----|--|-----|--|
| 1. | PE SHUNT, PROG INPUT | 7. | FORCE MARGIN SET BUTTON |
| 2. | TERMINAL BLOCK - 24V (Pwr)
0V (Gnd)
PE (Trigger)
LGT (Light Trigger)
OSC (Operate)
Com (Common) | 8. | LIGHT CODE BUTTON |
| 3. | SET BUTTON (ORANGE) | 9. | CODE SET LED (RED) |
| 4. | OPERATE BUTTON (YELLOW) | 10. | DOOR CODE BUTTON (BLUE) |
| 5. | PLUS (+) BUTTON (GREEN) | 11. | DOOR STATUS LED (YELLOW) |
| 6. | OPEN LIMIT LED (GREEN) | 12. | MINUS (-) BUTTON (RED) |
| | | 13. | CLOSE LIMIT LED (RED) |
| | | 14. | DATUM ADJUST SCREW |
| | | 15. | AUTO CLOSE TIME BUTTON |
| | | 16. | MANUAL RELEASE HANDLE/EASY ACCESS TRANSMITTER (optional) |

KIT CONTENTS

ITEM	QUANTITY
GDO-7 SECURALIFT® DRIVE UNIT-----	1
SECURACODE ® KEY RING TRANSMITTER PACK----- pack includes two keyring transmitters two batteries and one wall mount bracket for ptx4 transmitter	1
EASY ACCESS TRANSMITTER - EAT-1 (Not available some models)-----	1
TUBES-----	5
TUBE INSERTS-----	4
PIPE SUPPORT ASSEMBLY-----	1
CHAIN-----	1
SHUTTLE ASSEMBLY-----	1
DOOR ATTACHMENT ARMS-----	2
ACCESSORY PACK-----	1
INSTALLATION MANUAL-----	1



TUBE/PIPE ASSEMBLY

IMPORTANT SAFETY INSTRUCTIONS FOR INSTALLATION

Warning: Incorrect installation can lead to severe injury. Follow ALL installation instructions.

CHECK OPERATION OF DOOR BEFORE BEGINNING THE INSTALLATION OF THE SECURALIFT® AUTOMATIC OPENER CHECK THE OPERATION OF THE DOOR.

The door must be well balanced and be in a reasonable operating condition. You should be able to lift the door smoothly and with little resistance. It should stay open around 900mm to 1200mm above the floor. The door should not stick or bind in the guide tracks. The ideal operational effort in raising or lowering the door should not exceed a force of 15kg. Make sure that all door locks are either released, or disabled and remove unnecessary accessories.

STEP 1

Slide shuttle assembly onto tube (one piece only) and locate it in approximately half way position.

Please note: Arrow on shuttle must point towards garage door.

To assemble the rest of the tubes, always slide short insert tube half way into the long tube, then slide other tube onto remaining portion of insert tubes. Continue this process with remaining tube until desired length is achieved.

STEP 2

The opener is supplied with an 8 teeth drive sprocket on the drive unit. If the opener is to be fitted to a one piece door without track, exchange the 8 teeth sprocket on drive unit, with a 7 teeth drive sprocket available as an option from Automatic Technology.

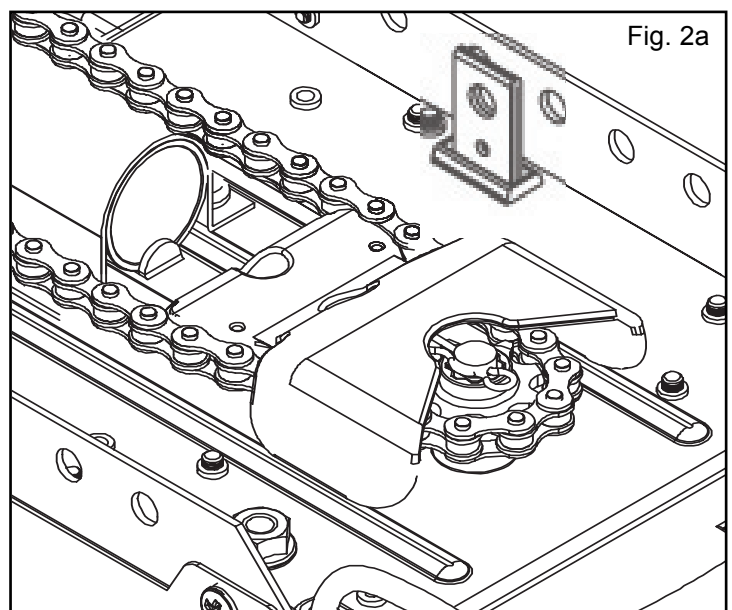
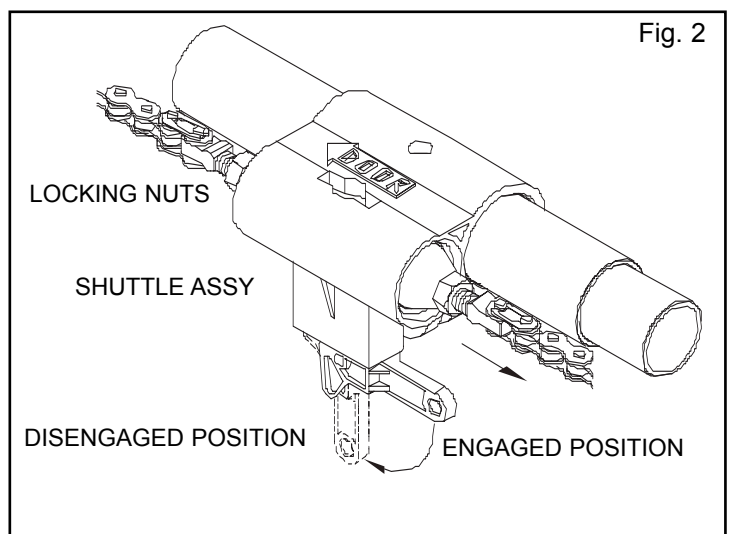
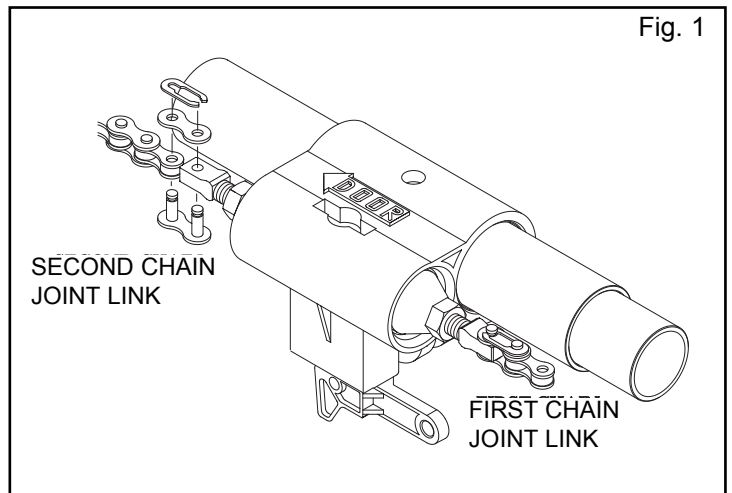
STEP 3

Attach one end of chain to chain index screw, nearer to drive unit, using one joint link. (Fig. 1). Proceed to wrap chain around drive unit sprocket and chain spreader, then follow along the pipe to the idler wheel on support pipe assembly, finally attach to the other end of the chain index screw.

NOTE: Make certain that the teeth of the drive sprocket are engaged in the chain and that the chain is not twisted. Make sure that the chain is engaged in the chain spreader and the idle wheel on the support pipe assembly.

STEP 4

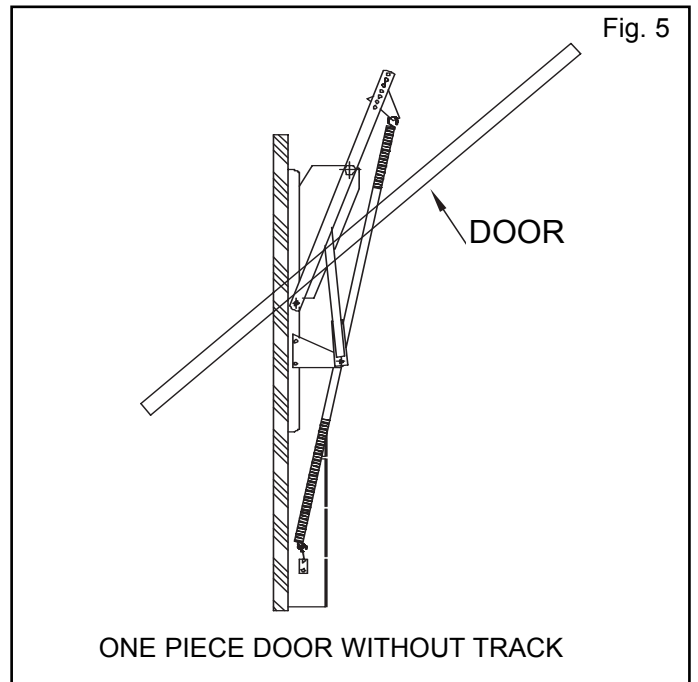
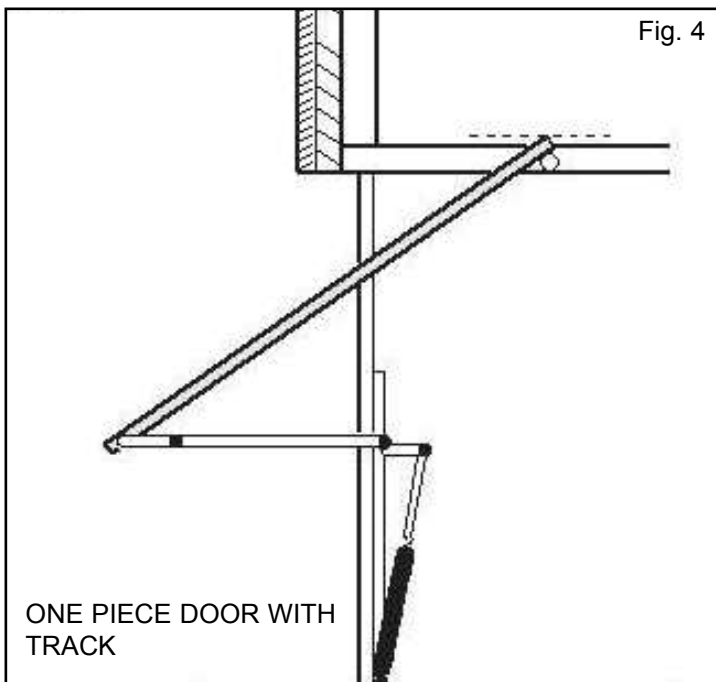
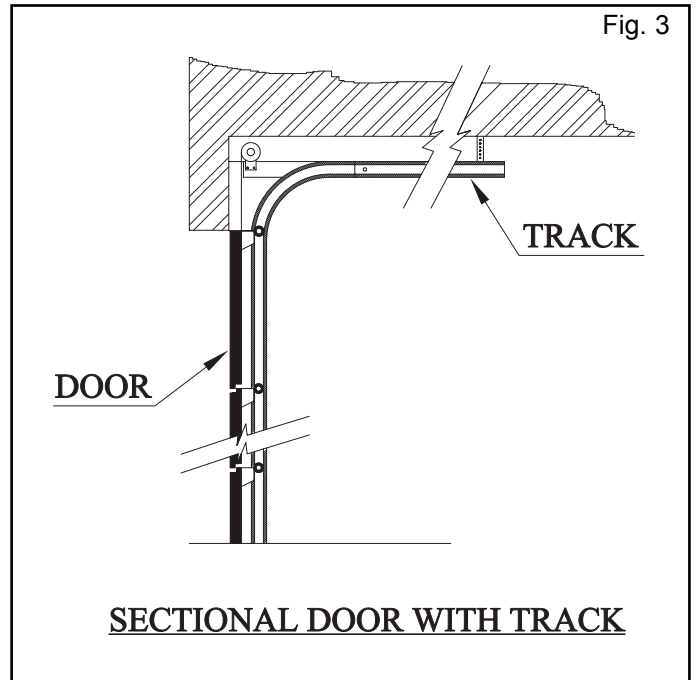
Disengage trolley from chain index by swinging lever downward (Fig. 2), then slide trolley away from chain index along pipe track. Loosen locking nuts on chain index screws. To tighten chain, turn chain index in anti-clockwise direction, looking from support pipe assembly to drive unit. Do not over-tighten chain as it has to sag 6-12mm. Check before locking screw with locking nuts that chain is not twisted. When the tension is finalized, tighten lock nuts at both ends of chain index.



DETERMINE THE DOOR TYPE

Determine which type of garage door you have as illustrated below. (Fig. 3 -5).

- For a sectional (panel) door on tracks (Fig. 3) proceed with the installation from Step 5.
- For a one piece door on tracks (Fig. 4) proceed with the installation from Step 5.
- For a one piece door without tracks (on springs) (Fig. 5) proceed with the installation from Step 9.



MOUNTING ON A TRACK TYPE DOOR

STEP 5

Open the door and find the highest point of travel of the top door panel. Using a level, transfer this height to the wall above the floor (Fig. 6) and mark a line 60mm above it.

Determine the centre of the location on the wall above and on top of the door. Then draw two (2) lines 21.5mm on each side of the door centre. (Fig. 7).

STEP 6

The intersection of line at 21.5mm from door centre and line 60mm above highest point of travel are centre points, where holes for mounting of wall bracket should be drilled. (Fig. 7)

If the wall bracket is mounted onto concrete or brick wall, use 8mm or 5/16" loxins or dynabolts. If mounting onto wooden lintel or beam, use wood screw #20 or equivalent minimum 50mm long.

WARNING: MAKE SURE CONCRETE, BRICK WALL OR TIMBER LINTELS ARE SOLID AND SOUND SO AS TO FORM A SECURE MOUNTING PLATFORM.

STEP 7

When the wall bracket is firmly secured in its proper position, attach the support pipe assembly to wall bracket with 90 mm long clevis pin and secure with supplied spring clip, (Fig. 8) leaving drive unit in its packing box for protection during installation.

STEP 8A (METHOD ONE)

Raise the drive unit from the packing box and support it in a horizontal position with a step ladder, then open the garage door. Rest the opener on the open door and use a scrap piece of wood to bring it to horizontal level. Line up the track with the centre line on top of the door. Secure to the ceiling above drive unit mounting holes, with perforated angle (not supplied). A representative mounting is shown. (Fig. 9)

Connect angle and drive unit with 2 flat perforated strips of angle (not supplied) with M8 x 20mm screws, nuts and washer. Strips should not extend more than 18mm below centre of drive unit mounting holes. (FIG. 9).

WARNING: THE OPENER MUST BE SECURELY FASTENED TO A STRUCTURAL SUPPORT OF THE GARAGE. FAILURE TO FASTEN THE OPERATOR CORRECTLY WILL LEAD TO POSSIBLE OPENER FAILURE CAUSING SERIOUS PERSONAL INJURY AND/OR PROPERTY DAMAGE.

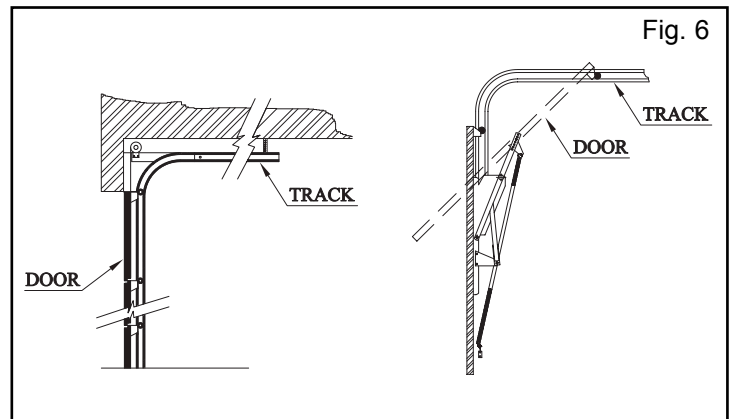


Fig. 6

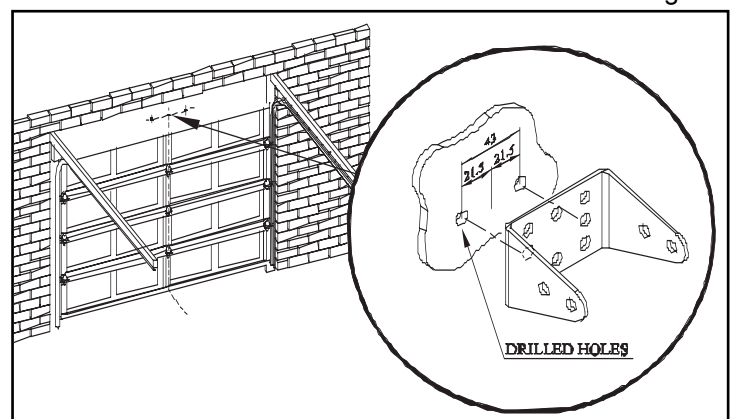


Fig. 7

Fig. 8

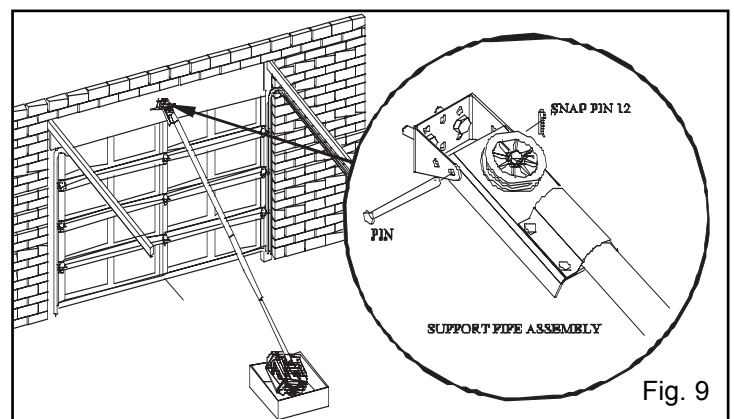
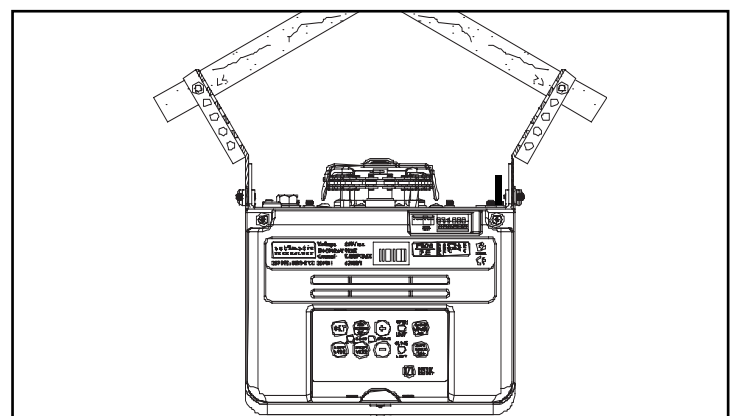


Fig. 9



USING ANTI VIBRATION BRACKETS

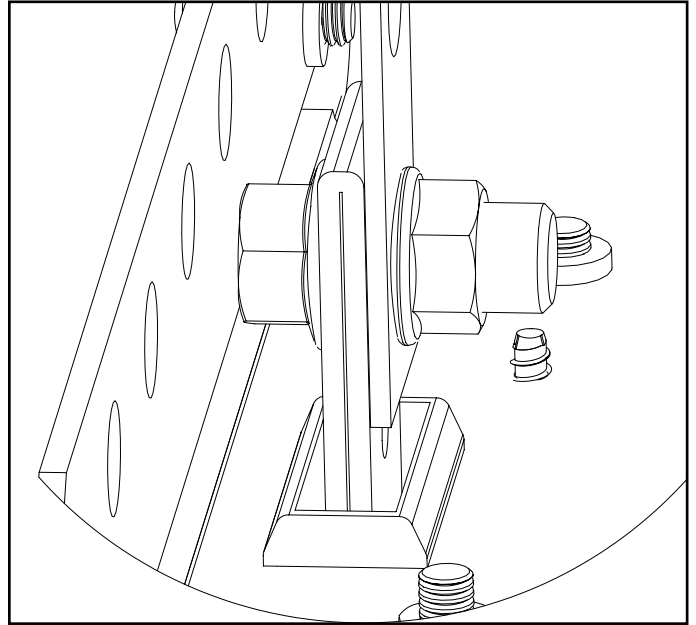
STEP 8B (METHOD TWO)

Raise the drive unit from the packing box and support it in a horizontal position with a step ladder, then open the garage door. Rest the opener on the open door and use a scrap piece of wood to bring it to horizontal level. Line up the track with the centre line on top of the door. Secure to the ceiling above drive unit mounting holes, with perforated angle (not supplied). A representative mounting is shown. (Fig. 9)

Connect angle and vibration brackets on drive units 2 flat perforated strips of angle (not supplied) Use the M6 X 16 Flanged Head Bolts (2) and M6 Flanged Head Nuts (2) and secure the hanger straps to the anti vibration brackets as per the diagrams .

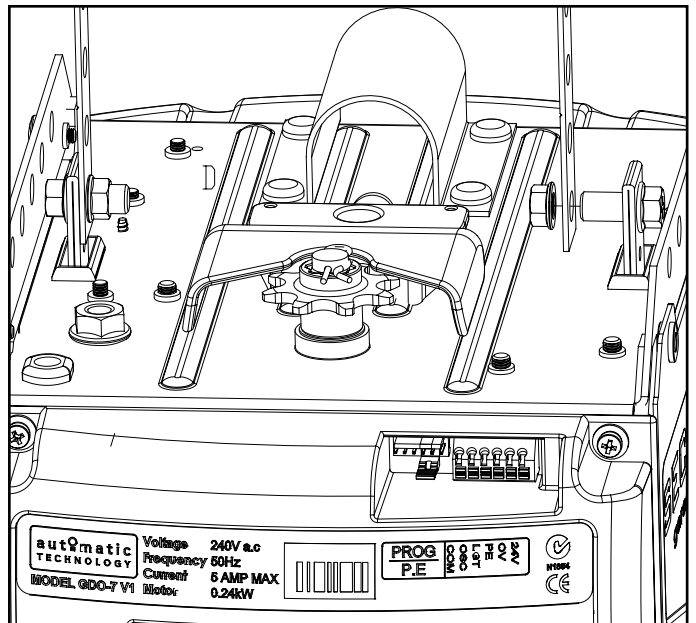
The brackets may have to be pushed lightly on an angle to allow the bolts to **be fitted**.

Strips should not extend more than 18mm below centre of drive unit mounting holes. (FIG. 9).

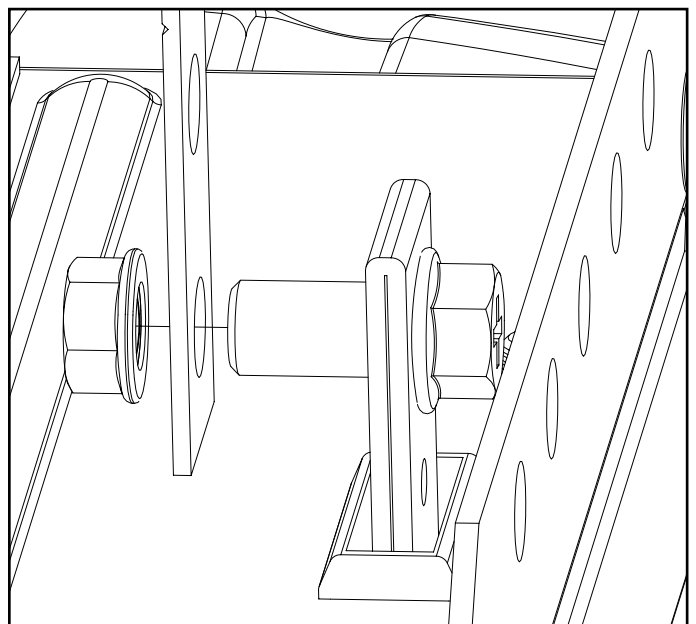


IMPORTANT:

Make sure that the head of the M6 bolt is facing the outside edge of the opener so that the threaded part of the bolt does not come into contact with the right angled return running along the edge of the metal chassis..



WARNING: THE OPENER MUST BE SECURELY FASTENED TO A STRUCTURAL SUPPORT OF THE GARAGE. FAILURE TO FASTEN THE OPERATOR CORRECTLY WILL LEAD TO POSSIBLE OPENER FAILURE CAUSING SERIOUS PERSONAL INJURY AND/OR PROPERTY DAMAGE



MOUNTING ON A SPRING LOADED DOOR

STEP 9

Determine the centre of the door and mark this location on the wall above and on top of the door. Then draw two (2) lines 21.5mm on each side of the door. (Fig. 10).

WARNING; MAKE SURE CONCRETE, BRICK WALL OR TIMBER LINTELS ARE SOLID AND SOUND SO AS TO FORM A SECURE MOUNTING PLATFORM.

STEP 10

Raise the door to open position. Rest the opener on the top edge of the door with end of the pipe/tube against the header wall and drive unit support level with the lowest point of the open door. (Fig. 11).

Note: Do not slide opener tube/pipe on face of the door when it is open.

Secure the opener to the ceiling above drive unit mounting holes, with perforated angle (not supplied). A representative mounting is shown. (Fig. 9)

Connect angle and drive unit with 2 flat perforated strips of angle (not supplied) with M8 x 20mm screws, nuts and washer. Strips should not extend more than 18mm below centre of drive unit mounting holes. (Fig. 9). Do not lock screws at this stage.

STEP 11

Close the door slowly. The opener pipe/tube will be elevated by the top edge of the door as it moves. Stop the door when it is at its highest point of travel. (Fig. 12)

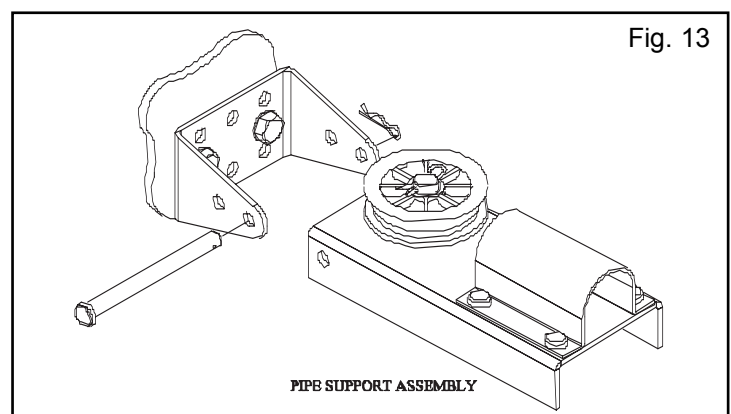
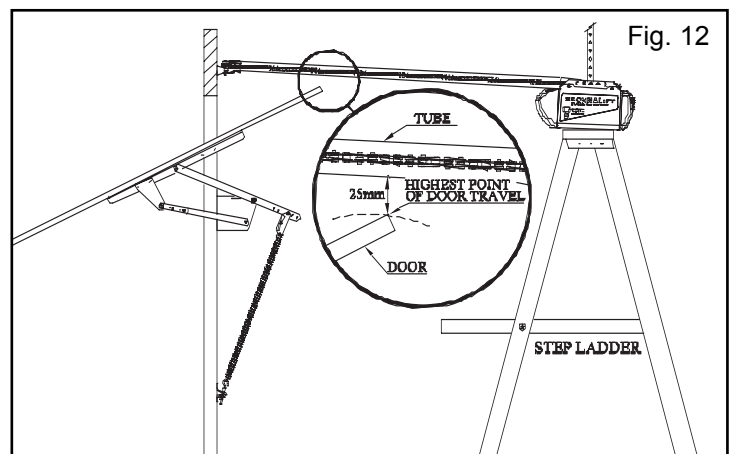
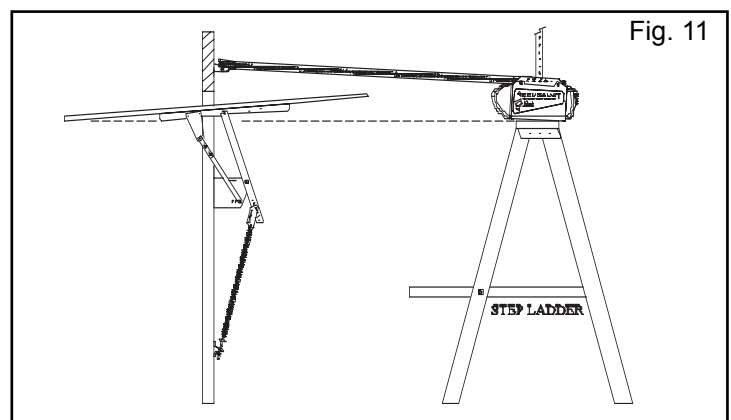
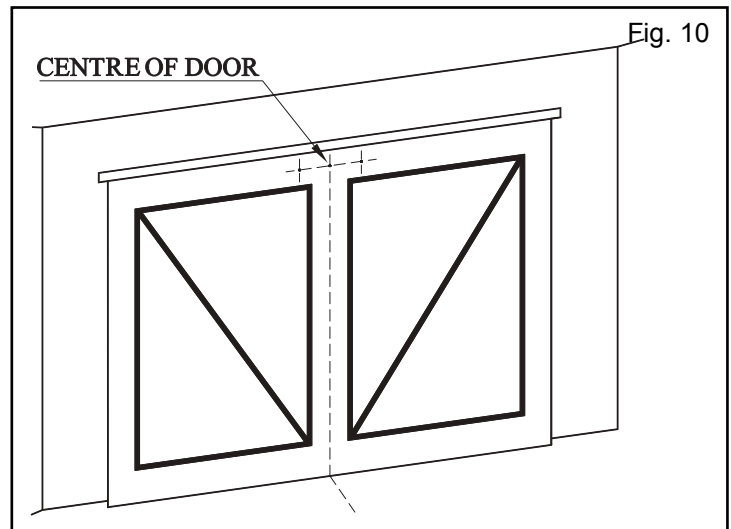
Allow 25mm additional height for clearance between the door and the track. Support pipe / tube in this position and the close the door. (Fig. 12) This will be the height to mount the wall bracket. Top of door must not touch tube.

WARNING: THE OPENER MUST BE SECURELY FASTENED TO A STRUCTURAL SUPPORT OF THE GARAGE. FAILURE TO FASTEN THE OPERATOR CORRECTLY WILL LEAD TO POSSIBLE OPENER FAILURE CAUSING SERIOUS PERSONAL INJURY AND/OR PROPERTY DAMAGE.

STEP 12

With the centre point of the door located, mark a line through the centre of the wall bracket onto the header wall (above the door). Using the bracket as a template mark a minimum of two holes and drill with appropriate size bit. If necessary the wall bracket can be anchored using more than two holes for a more secure fitting.

If the wall bracket is mounted onto concrete or brick wall, use M8 or 5/16" loxins or dynabolts. If mounted onto wooden lintel or beam, use wood screws #20 or equivalent, minimum 50mm long. Attach the wall bracket to the support pipe assembly with 90mm long clevis pin (Fig. 13) and securely spring clip.



MOUNTING DOOR BRACKET AND ARMS

STEP 13

The door bracket comes in two parts. The bottom plate with two mounting holes is used on its own for any one piece doors. The top plate is placed over the bottom plate and uses 4 mounting holes for extra strength. This is used on sectional doors. (See Fig. 14). Mount the door bracket to the centre line of the door using M6 or equivalent screws (not supplied) Alternatively it can be welded on steel doors.

Note: As various types of doors exist, if in doubt about the strength of the door, reinforcement may need to be added to the frame or panel where necessary. Damage to the door panel may occur if the bracket is installed incorrectly on a panel with insufficient strength. The door opener warranty does not cover damage caused by the opener to the door and/or door panel.

STEP 14

Assemble bent and straight arm with screws, and hex nuts supplied in accessory pack. (Fig. 15) Then connect assembled arm to the door bracket and the shuttle by clevis pin and spring clip. shuttle must be in disengage position. use the bend & straight arm. If installing on a door with bad wave action, lengthening the arm even further will assist the door operation by reducing the wave action.

THE EASY ACCESS TRANSMITTER

The Easy Access Transmitter is prepared ready for use with the battery pre-installed. Before the transmitter can be operational, the Transmitter Code has to be stored into the openers memory. To store the code please follow the instructions in Step 18.1 on page 16.

REMOVING THE COVER TO REPLACE BATTERY

1. Rotate the cover Clockwise to 'CLOSE'
2. Rotate the cover Anti-clockwise to 'OPEN'

REMOVING THE BATTERY

(Battery Type: 3V Lithium Battery CR1220).
Use a non - metallic object (e.g Pen) to remove the battery. (see Fig. 18)

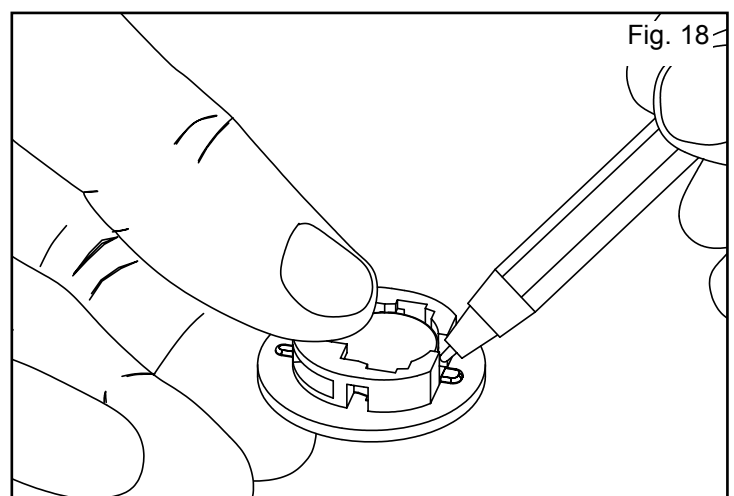
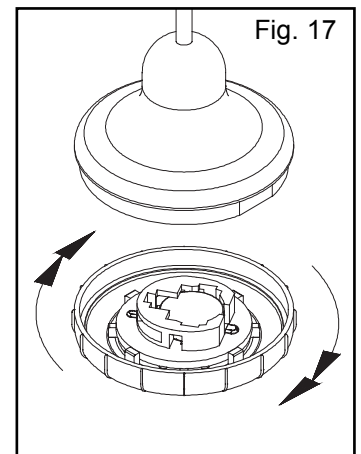
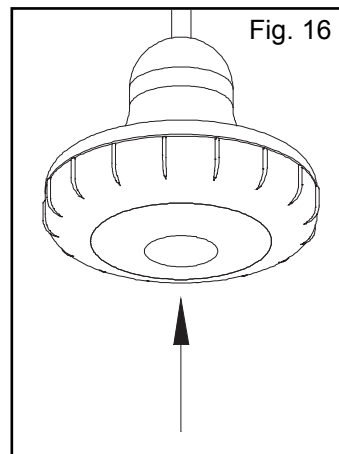
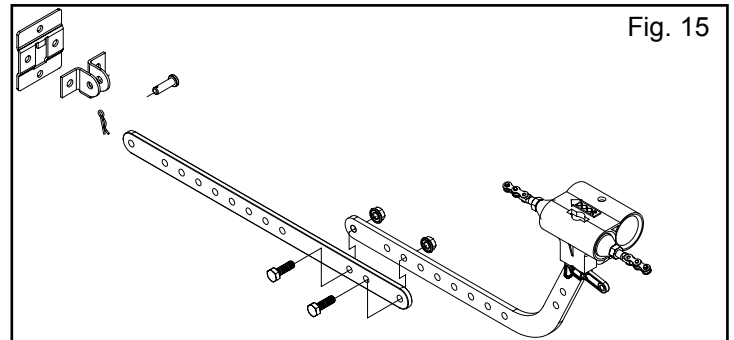
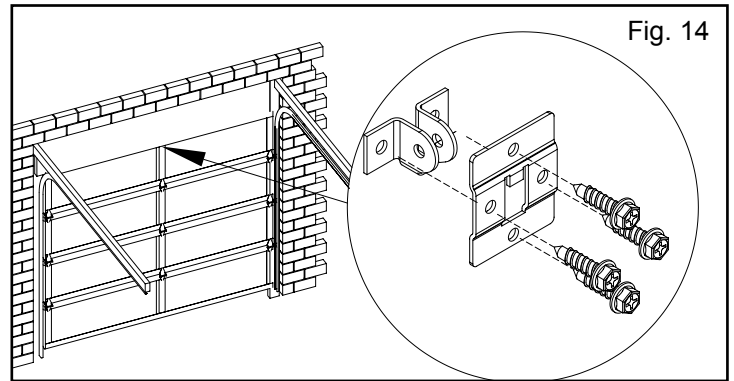
WARNING

Metallic objects used to remove the battery may DAMAGE the circuit board or the battery.

REPLACING THE BATTERY

Place one side of the battery into the battery holder, then press the battery down firmly until it clicks into a flat position.

Note: The length of the manual release cord is user adjustable simply by sliding the plastic toggle along the cord to achieve the desired length. Adjust the length of the cord so that it can be easily reached by an adult of average height (ie. less than 1.8m tall).



SETTING LIMITS

STEP 15

SETTING TRAVEL LIMITS POSITIONS

METHOD ONE: VIA THE CONTROL PANEL

IMPORTANT NOTE: The OPERATE button will not function until the open and close limits positions are set.

15.1 SETTING DATUM POSITION

1. Move the door manually to engage the shuttle assembly onto the chain index.
2. Turn power on - the Close Limit LED should be flashing.
3. Press and hold Minus (-) or Plus (+) button to move the door to half way open position.
3. Using a small blade screw driver turn the datum adjust screw slowly until the yellow status LED just illuminates.

Note: If the status LED is already illuminated when the door is half way up then turn the datum adjust screw until the LED goes off then turn back one notch to illuminate again.

15.2 SETTING LIMITS POSITIONS

NOTE: The door and shuttle must be engaged into the chain index and should be open approximately half way.

1. Press red Minus (-) button and hold it, the door will start closing. Release the button once you have reached your desired closed limit position. (Fig. 21)
2. Press the set button. This action will store into memory the closed limit position.
3. Press the green Plus (+) button, the door will start opening. Release the button once you have reached your desired open limit position.

IMPORTANT WARNING: Please be aware that the garage door will start closing automatically once step 4 is performed. The door will also automatically re-open after fully closing with a small pause between the cycles.

4. Press the Set button. This action will store into memory the door limit position. The door will now automatically close to its limit position then fully open to calculate the safety obstruction forces (ISS). Please be aware of the above warning.

The opener can now be operated via the OPERATE Button.

WARNING: DO NOT TURN DATUM ADJUST SCREW AFTER LIMIT SETTING, OTHERWISE OPENER WILL NOT FUNCTION CORRECTLY.

15.2 RESETTING DOOR LIMIT POSITIONS

The door travel limit positions can be deleted for new positions by the following steps below:

1. Press and hold the Close button (Fig. 21) for six (6) seconds until you hear three beeps and the red Close Limit LED starts to flash. Release the button.
2. Follow STEPS 15.1 and 15.2 to set new travel limit positions.

Go to STEP 17 and test the Safety Obstruction Force.

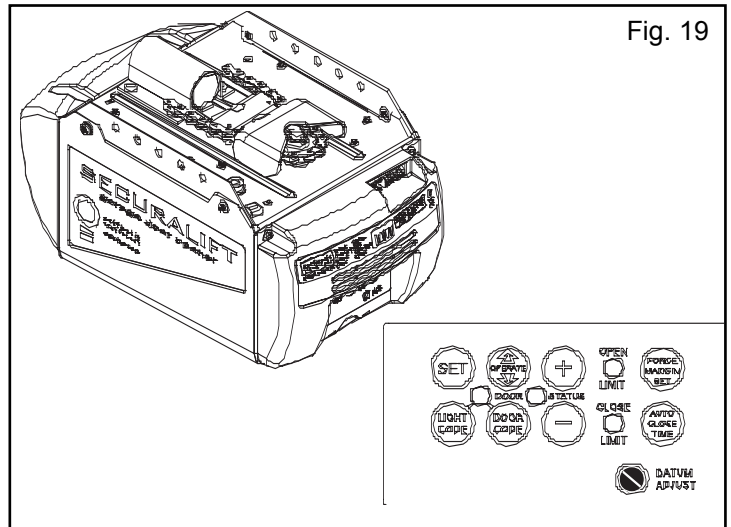


Fig. 19

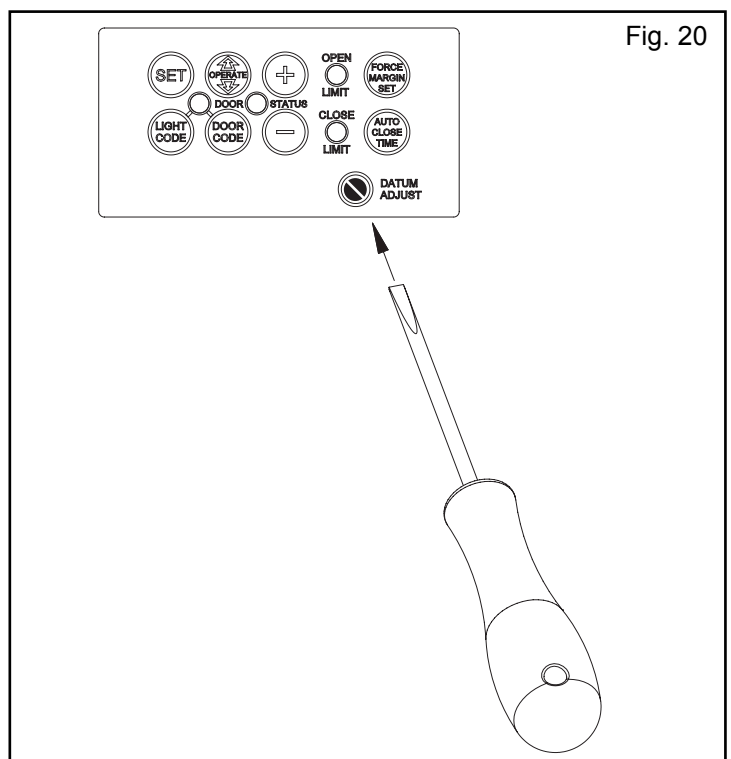


Fig. 20

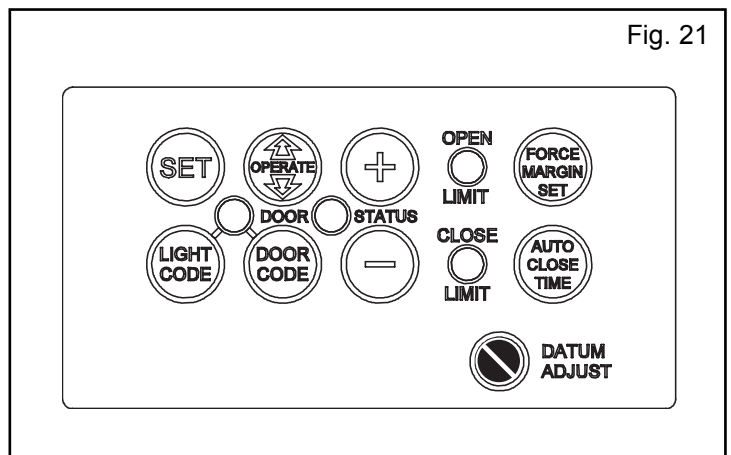


Fig. 21

SETTING LIMITS

STEP 16

SETTING TRAVEL LIMIT POSITIONS

METHOD TWO: VIA THE TRANSMITTER

IMPORTANT NOTE: The OPERATE button will not function until the open and close limits positions are set.

16.1 SETTING DATUM POSITION

1. Move the door manually to engage the shuttle assembly onto the chain index.
2. Turn power on - the Close Limit LED should be flashing.
3. Press and hold Minus (-) or Plus (+) button to move the door to half way open position.
4. Using a small blade screw driver turn the datum adjust screw slowly until the yellow status LED just illuminates.

Note: If the status LED is already illuminated when the door is half way up then turn the datum adjust screw until the LED goes off then turn back one notch to illuminate again.

16.2 CODING TRANSMITTER FOR SETTING LIMITS

1. Press and hold the Door Code button (Fig. 24).
2. Press button 1 on the transmitter for two seconds. Release and pause for two seconds. Press the same button again on the transmitter for two seconds.
3. Release Door Code button.

16.3 SETTING LIMITS

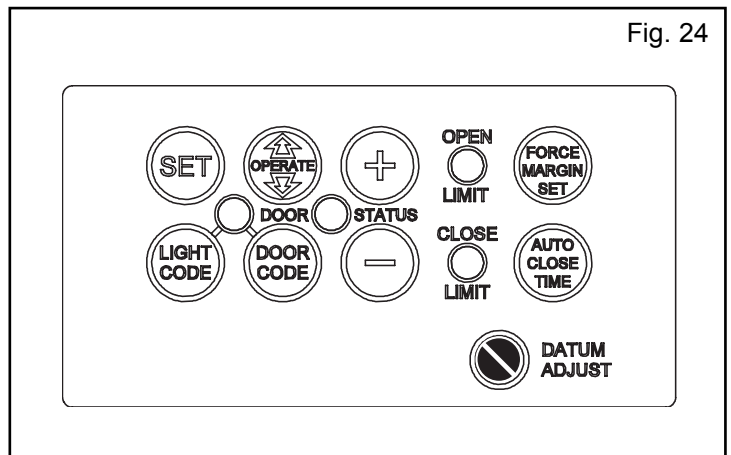
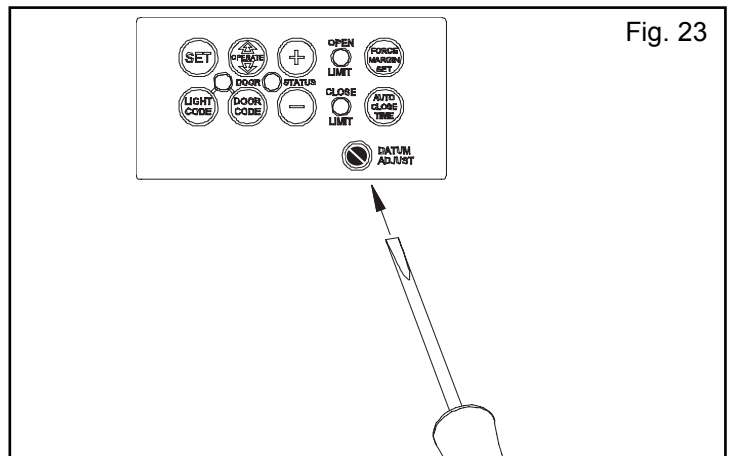
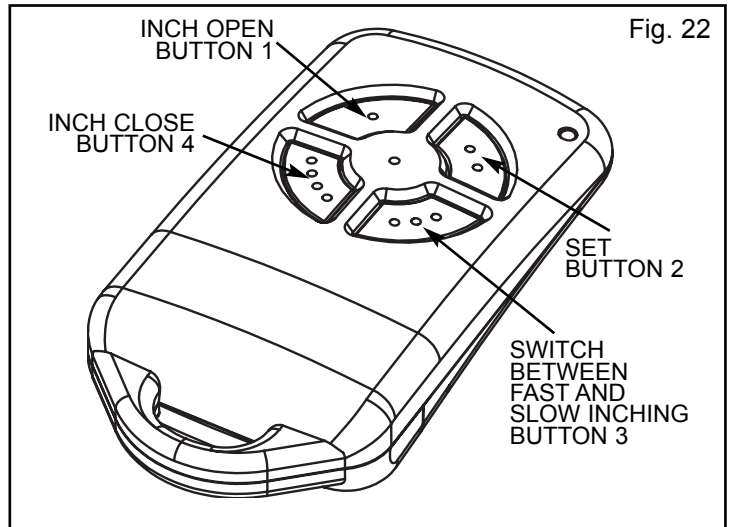
NOTE: The door and shuttle must be engaged into the chain index and the door should be open approximately half way.

1. Press button 4 (Fig. 22), the door will start closing, release the button once you are 1 to 2 cm from your desired closed limit position. Press button 3 for two seconds then release.
2. Press button 4, each press will enable you to fine inch the door to your desired closed position.
3. Once you are happy with the position press button 2, this action will store into memory the closed limit position.
4. Press button 1, the door will start opening. Release the button once you are 1 to 2 cm from your desired open limit position. Press button 3 for two seconds then release.
5. Press button 1. Each press will enable you to fine inch the door to your desired open position.

IMPORTANT WARNING: Please be aware that the garage door will start closing automatically once step 6 is performed. The door will also automatically re-open after fully closing with a small pause between the cycles.

6. Once you are happy with the position press button 2, this action will store into memory the door limit position. The door will now automatically close to its limit position then fully open to calculate the safety obstruction forces (ISS).

Please be aware of the above warning.



16.4 RESETTING DOOR LIMITS POSITIONS

The door travel limit positions can be deleted for new positions by the following below:

1. Press and hold the Minus (-) button (Fig. 24) for six (6) seconds until you hear three beeps and the red Close Limit LED starts to flash. Release the button.
2. Follow STEP 16.1 and 16.3 to set new travel limit positions.

Important: There is no need to re-code the transmitter used for setting the limit positions. After the limits are set the transmitter automatically resets to normal operation.

Go to STEP 17 and test the Safety Obstruction Force.

SETTING SAFETY OBSTRUCTION FORCE

STEP 17

SAFETY OBSTRUCTION TEST

Please take care when testing the Safety Obstruction Force. Excessive force may cause **SERIOUS PERSONAL INJURY** and/or **PROPERTY DAMAGE** can result from failure to follow this warning.

17.1 TESTING CLOSE CYCLE

1. Open the door by pressing the Yellow Operate button (Fig. 25).
2. Place a length of timber approximately 50mm high on the floor directly under the door (Fig. 25a).
3. Press the Operate button to close door. The door should strike the object and start to re-open.

17.2 TESTING OPEN CYCLE

1. Close the door by pressing the Operate button.
2. Press again to open the door. When the door reaches half the opening distance, grab the bottom rail of the door firmly, the door should stop.

If the door does not reverse readily when closing, or stop when opening, the force may be excessive and need adjusting, refer to STEP 17.4.

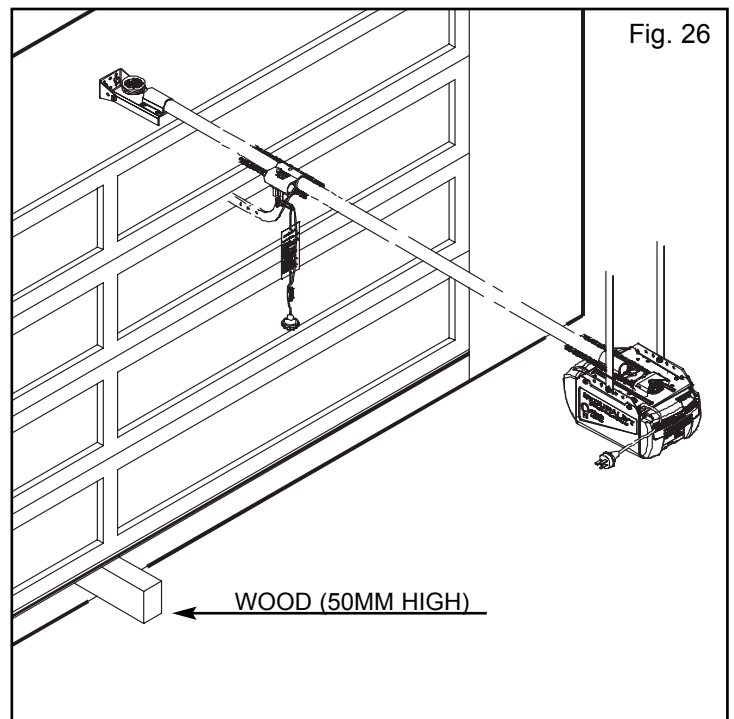
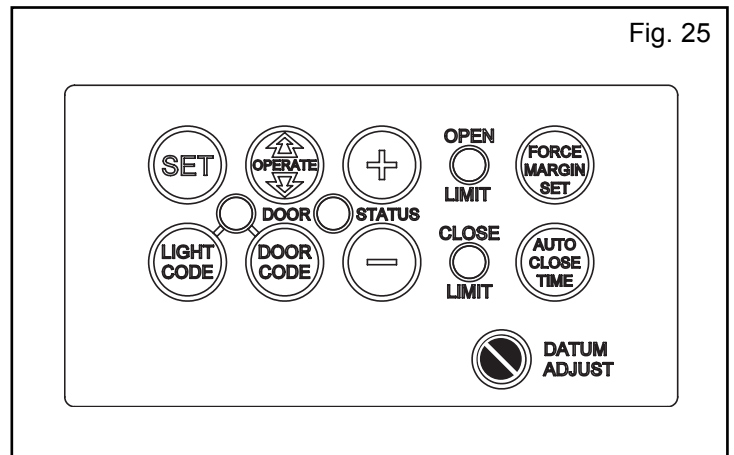
IMPORTANT WARNING: If the door is closing and is unable to re-open when obstructed, discontinue use. Do not use a door with faulty obstruction sensing. Repair fault and re-test before using.

ADJUSTING SAFETY OBSTRUCTION FORCE

The Safety Obstruction Force is calculated automatically and set in memory on the SecuraLift® opener. It is usually not necessary to adjust the Safety Obstruction Force. The only time the force may need to be increased is due to environmental conditions, for example, windy or dusty areas, and areas with extreme temperature changes.

17.3 TO INCREASE FORCE PRESSURE

1. Press and hold the Force Margin Set button (Fig. 25)
2. While holding down the Force Margin button, press the Plus (+) button. Each press increases the force margin. The Open Limit LED will flash each time the Plus button is pressed to indicate an increase in force. Test the force again as per step 17.1 and 17.2 above. If the Open Limit LED flashes continuously when the Plus button is being pressed, this indicates that the maximum force pressure setting has been reached.



17.4 TO DECREASE FORCE PRESSURE

1. Press and hold the Force Margin Set button (Fig. 25).
2. While holding down the Force Margin button, press the Minus (-) button. Each press decreases the force margin. The Close Limit LED will flash each time the Minus button is pressed. Test the force again as per step 17.1 and 17.2 above. If the Close Limit LED flashes continuously when the Minus button is being pressed, this indicates that the maximum force pressure setting has been reached.

17.5 TO RECALL FACTORY SET FORCE

1. While holding down the Force Margin Set button, press the SET button (Fig. 22) for two seconds.
2. Release both buttons. The default setting should now be recalled.

CODING TRANSMITTERS

STEP 18

SETTING TRANSMITTERS CODES

Make sure to connect the battery to the transmitters. The memory in the openers receiver can store up to 24 different remote control transmitters.

18.1 STORING THE TRANSMITTERS CODE

1. Press and hold the Door Code button (Fig. 26).
2. Press the button (one of four) on the transmitter you would like to use to control the door for two seconds, pause for two seconds. Press the same button again on the transmitter for two seconds.
3. Release the Door Code button.
4. Press the transmitter button to test if it operates the door.

18.2. SETTING THE TRANSMITTER TO OPERATE THE COURTESY LIGHT

The transmitter can be programmed to operate the courtesy light on the door opener.

1. Press and hold Light Code button (Fig. 26).
2. Press the button on the transmitter you would like to use to switch on the light for two seconds, pause for two seconds. Press the same button again on the transmitter for two seconds.
3. Release all buttons to store the transmitter in memory.
4. Press the transmitter button to test if it switches on the light.

18.3. SETTING THE TRANSMITTER TO OPERATE PET (PEDESTRIAN) MODE

1. Press and hold Door Code button and the Close button (Fig. 26).
2. Press the button on the transmitter you would like to use to control pedestrian mode for two seconds, pause for two seconds. Press the same button again on the transmitter for two seconds.
3. Release all buttons to store the transmitter in memory.
4. Press the transmitter button to test if it operates the pedestrian mode.

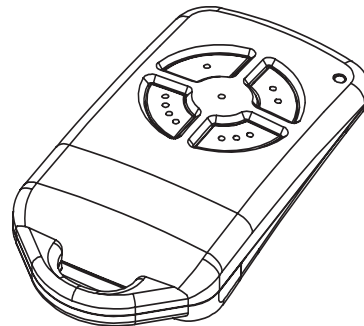
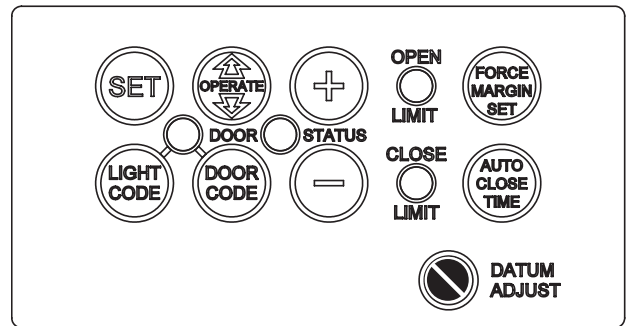
To change the default pet (pedestrian) door opening position, refer step 24 on page 19.

18.4. SETTING THE TRANSMITTER TO OPERATE VACATION MODE

1. Press and hold Light Code button and the Close button (Fig. 26).
2. Press the button on the transmitter you would like to use to control vacation mode for two seconds, pause for two seconds. Press the same button again on the transmitter for two seconds.
3. Release all buttons to store the transmitter in memory.
4. To test, press and hold the transmitter button set for vacation mode for five seconds to set Vacation Mode.

To reset Vacation Mode press the same button for two seconds. Please note that when vacation mode is activated all stored transmitters will be locked out. This mode can only be deactivated by a transmitter which has been stored to activate this mode.

Fig. 26



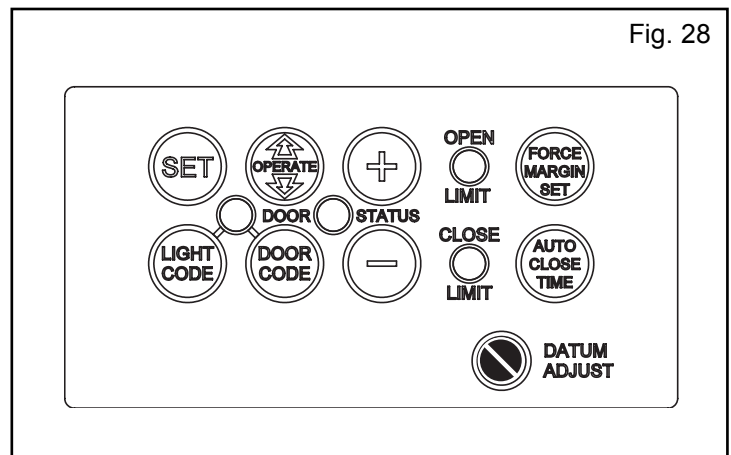
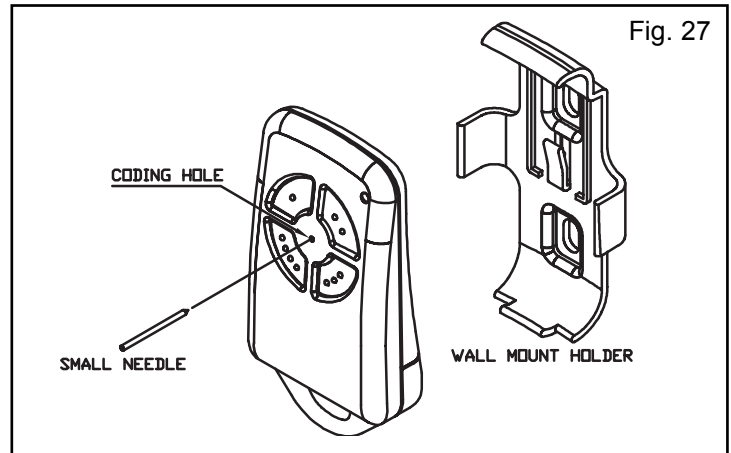
CODING TRANSMITTERS

STEP 19 STORING TRANSMITTER(S) FROM A REMOTE LOCATION

Using this method you don't need to have access to the control panel on the Door Opener. However, you do need a transmitter that is pre coded to the controller's receiver.

IMPORTANT NOTE: The Door or Courtesy Light must be activated when the step below is performed. The moving Door or Light switching on is to confirm from a remote location that, the correct button was pressed, and the transmitter is in range of the Opener.

1. Take any pre-coded transmitter. Press the button for the function you require until the door is activated and release.
2. Then using a small needle press and hold firmly for two seconds through the Coding Hole (Fig. 27)
3. Within 10 seconds take the additional transmitter you wish to code.
4. Press the button (one of four) on that transmitter you would like to use to control the door for two seconds, pause for two seconds. Press the same button again on the transmitter for two seconds, the button should now be recorded.
5. Wait for 10 seconds and then press the recorded transmitter button to see if it operates the door.



20. DELETING PROGRAMMED CODES

20.1 DELETING A STORED TRANSMITTER CODE

1. Select the transmitter you want to delete.
2. Press and hold the Door Code button (Fig. 28).
3. Press the transmitter button you would like to delete for two seconds. Pause for two seconds. Press the transmitter button again for two seconds.
4. Release the Door Code button. The code should now be deleted. Confirm this by pressing the transmitter button, the door should not respond.

20.2 DELETING ALL STORED TRANSMITTER CODES

1. Turn the Power Off to the Opener.
2. Press and hold the Door Code button (Fig. 28).
3. Turn the Power On again, while holding the Door Code button. The Open Limit, Close Limit and Door Status LED's will illuminate for about five seconds. These LED's will turn Off and the Coding LED will illuminate. Release the Door Code button. All the stored codes including the Courtesy Light codes should now be deleted. Confirm this by trying to operate the door by pressing the transmitters previously used to control the door, the door should not respond.

21. FITTING THE SAFETY PHOTO ELECTRIC BEAM SENSOR (OPTIONAL)

Locate the Photo Electric Beam (P.E.) normally closed contact type in a strategic location within doorway. We recommend 150mm above the floor level and as close as possible to the door opening, inside the garage. Remove shunt from P.E. connector (Fig. 29) and connect the wires from the P.E. wiring harness to terminal block (Fig. 30). The wiring diagram is for Model PHBE (Order Code 90214).

Make sure to align the beams correctly. Follow the manual supplied with the Photo Electric Beam.

WARNING: When using Auto Close Mode and P.E. beams, the doorway must be clear of all obstructions and persons at all times. The location of the beam and manner in which it is installed might not give safety protection at all times. Check to make sure that the height of the beam and type used give maximum protection possible.

22. SETTING OF AUTO CLOSE TIME

IMPORTANT NOTICE: IT IS COMPULSORY TO INSTALL A PHOTO ELECTRIC BEAM BEFORE USING THE AUTO CLOSE MODE.

The Auto Close timer will only start after the Photo Electric Beams (P.E.) path is broken and the auto close time has been set. If the P.E. path is not broken the door will remain open till the path is broken. If the Door Opener incurs an obstruction (not from the P.E.) while closing the door will re-open and not auto close until the part of the P.E. beam is broken again.

SETTING AUTO CLOSE TIME

1. Press and hold the Auto Close Time button (Fig. 31).
2. While holding in the Auto Close Time button, press the Plus (+) button. Each press of this button will add one second to the auto close delay time.
3. To decrease the delay time follow Step 1 and press the Minus (-) button. Each press will deduct one second from the auto close time.
4. Press the Operate button or transmitter to open the door. When the door is fully opened the Open Limit green LED will flash to indicate that the auto close mode is in operation. Break the path of the P.E. Beam momentarily, this will initialize the auto close mode. When the door reaches the fully opened position, the door will pause for the set auto close time and start to auto close.

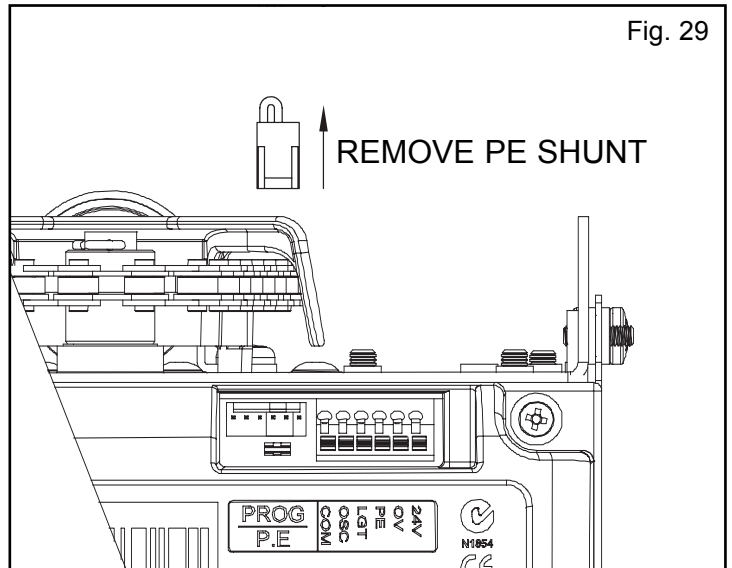


Fig. 29

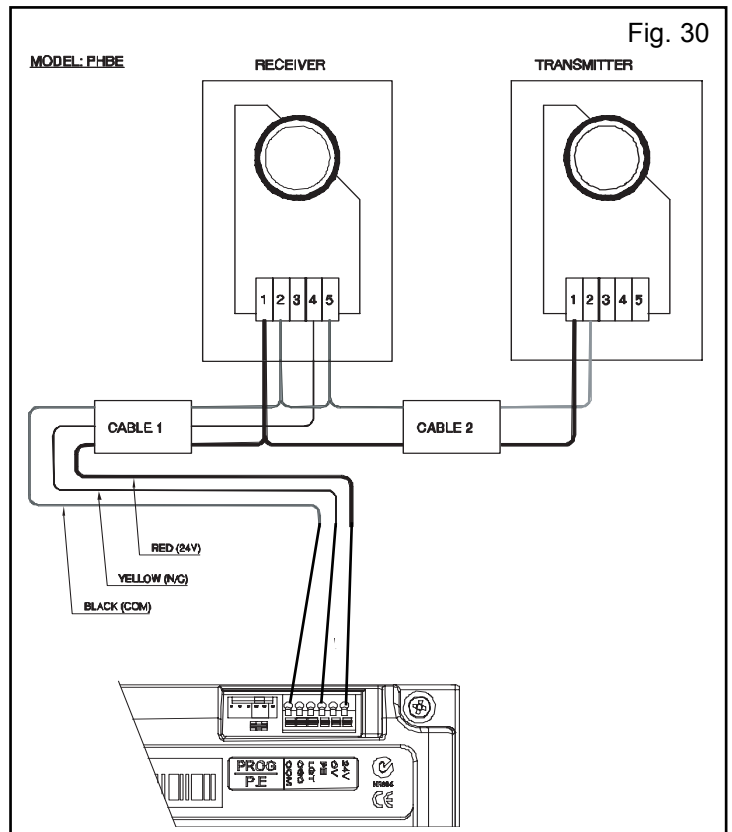


Fig. 30

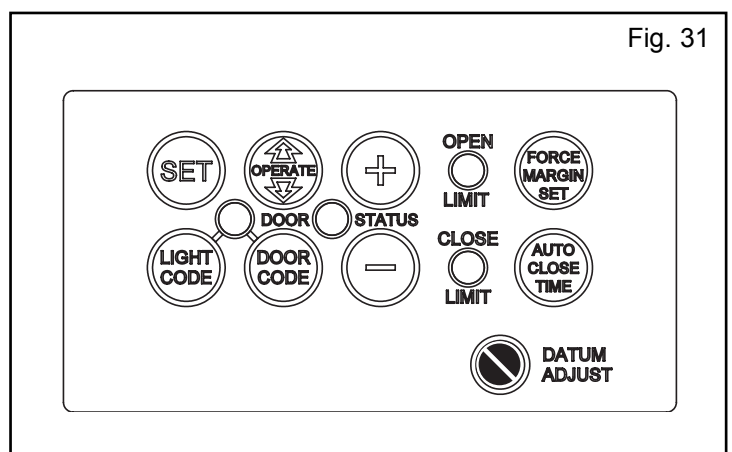
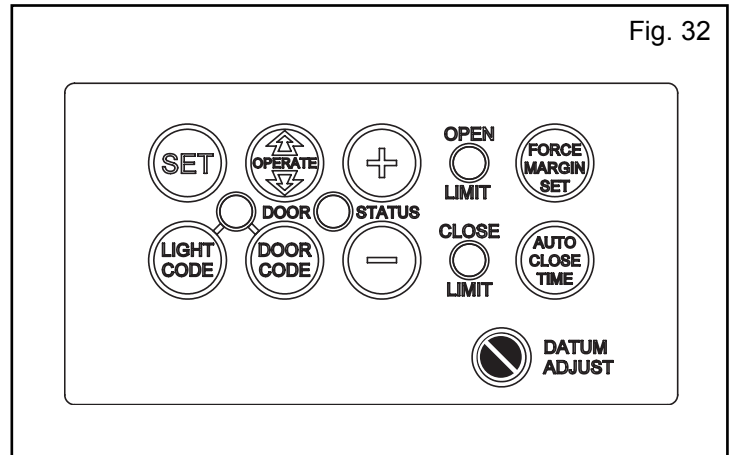


Fig. 31

23. SETTING OF COURTESY LIGHT TIME

The preset courtesy light time on the door opener is 3 minutes. This time can be changed by the following:

1. Press in and hold both the Auto Close Time button and Force Margin Set button (Fig. 32).
2. While holding in the two buttons, press the Plus (+) button. Each press of the button will add 10 seconds to the light time.
3. To decrease the time follow Step 1 and press the Minus (-) button. Each press will deduct 10 seconds from the light time.
4. To recall the factory set default light time press in and hold together the Auto Close Time button, the Force Margin Set button and the Set button for about 2 seconds. Release all buttons, the factory set default of 3 minutes will be recalled.



24. SETTING THE PET MODE DOOR OPENING POSITION.

The default PET (Pedestrian) position is factory preset to a predetermined height. The PET mode status is indicated by both the Open and Close Limit LED's being illuminated. The default position can be changed by the following:

1. Make sure the door is in the closed position. Press and hold the Plus (+) button for six (6) seconds (Fig. 32), you should hear three beeps and the Open and Close LEDs will flash rapidly.
2. Press the Plus (+) or Minus (-) button (Fig. 32) to move the door to your required new pet open door position.
3. Press the Set button (Fig. 32) to record the new position.

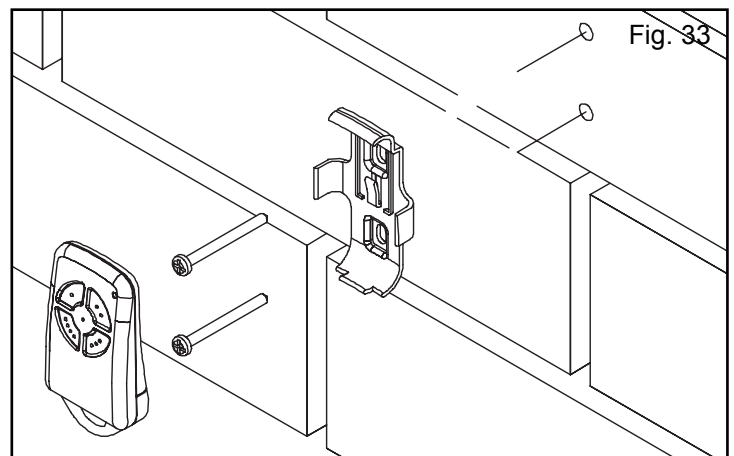
The Pet mode is activated from a transmitter button coded to that function. When activated the door drives to the preset position from either above or below. If the Pet button is pressed while the door is moving the door will be stopped. If the Pet button is pressed when the door is in the Pet position, then the door will be closed. No auto close is enabled.

25. INSTALLATION OF WALL MOUNTED TRANSMITTER HOLDER

1. Mount the holder in a location out of reach of children and convenient to the customer. (Fig 33). Make sure the door is visible from this location.
2. The transmitter can be easily clipped in and removed from the holder as required.
3. To set the transmitter codes refer to Step 18 on Page 16.

26. RE-INITIALIZING THE OPENER

To re-initialize the opener press and hold the Set Button for two (2) seconds, the beeper will sound once. The door will start to move and re-calculate force margins. The door can move between the open and close limit positions up to four (4) times (depending on the position of the door and the power up condition). A single beep will be heard once the initialization is complete. The door is now ready for use.



PARAMETERS

DOOR STATUS INDICATORS

DOOR OPENER STATE	OPEN LED GREEN	CLOSE LED RED	DOOR STATUS LED YELLOW	BEEPER
OPEN	ON			
CLOSE		ON		
OPENING	FLASHING			
CLOSING		FLASHING		
DOOR TRAVEL STOPPED	FLASHING	FLASHING		
DOOR OBSTRUCTED WHEN OPENING	FLASHING			
DOOR OBSTRUCTED WHEN CLOSING		FLASHING		BEEPS WHILE DOOR IS MOVING
OPENER OVERLOADED	ALTERNATING FLASHES	ALTERNATING FLASHES		
DOOR IN OPEN POSITION WITH AUTO CLOSE MODE SELECTED	ONE SECOND FLASHES			
MAINS POWER INTERRUPTED	RAPID FLASHES			

DOOR STATUS INDICATORS

BUTTON	FUNCTION
Operate	Opens/Stops/Closes the door
Door Code	Codes a transmitter button for Operate function
Light Code	Codes a transmitter button for light function
Door Code & Minus (-)	Codes a transmitter button for pet (pedestrian) function
Light Code & Minus (-)	Codes a transmitter button for vacation function
Force Margin Set & Plus (+)	Increases the obstruction force margin setting
Force Margin Set & Minus (-)	Decreases the obstruction force margin setting
Force Margin Set (then) Set	Reloads the factory set default obstruction force margin setting
Auto Close Time (then) Plus (+)	Increases the auto close delay time
Auto Close Time (then) Minus (-)	Decreases the auto close delay time
Auto Close Time (then) Set	Reloads the factory set default auto close delay time
Force Margin Set & Auto Close Time (then) Plus (+)	Each press of the open button increases the light time by 10 secs.
Force Margin Set & Auto Close Time (then) Minus (-)	Each press of the open button decreases the light time by 10 secs.
Force Margin Set & Auto Close Time (then) Set	Reloads the factory set default light time
Minus (-) (for 6 secs.)	Clears the door limits set positions. Limits then need to be reset.
Set & Close (for 2 secs.)	Enters pet (pedestrian) position mode.
Set (the power on) and hold until all LEDs are off	Deletes control parameters excluding transmitter storage memory.
Door Code (the power on) and hold until all LEDs are off	Deletes all transmitter storage memory.
Set & Door Code (the power on) and hold until all LEDs are off	Deletes all control parameters and transmitter storage memory.
Set	Re initialises opener obstruction force margin.

DEFAULT SETTINGS AND SPECIFICATIONS

FACTORY DEFAULT SETTINGS

	DEFAULT	STEP	MAXIMUM
MAXIMUM MOTOR RUN TIME	30 Secs.	—	—
COURTESY LIGHT TIME	4 Mins	10 Secs.	10 Mins.
OBSTRUCTION FORCE MARGIN	3	1	27
AUTO CLOSE TIME	0 Secs.	5 Secs.	4 Mins.

SYSTEM SPECIFICATIONS

Maximum residential overhead garage door area	16.5m ²
Door Load	Rated Load: 150N (15kg) Push pull force 600N (60kg) Short term peak load 700N (70kg)
Supply Voltage	230 - 240 V AC 50Hz
Motor Type	1/3 H.P. (AC) Alternating Current
Current	Max. 5A
Globe	Edison (screw mount) 240V 60W Rough Service (or construction type)
Limit Adjustment	Electronic - semi-automatic
Force Control	Electronic - fully automatic. Can be adjusted for environmental reasons
Transmitter Frequency	433.92MHz
Powerhead Weight	7.75kg
Max. Opener Run Time	30 Secs.
Transmitter Code Storage Capacity	24 x 4 Button Transmitters
Code Type	Hopping Code
No. of Code Combinations	Over 4.29 Billion Random Codes
PTX-4 Transmitter Battery	A23 12Volt Alkaline
EAT-1 Transmitter Battery	CR1220 Lithium 3 Volts

- Note:**
1. The maximum door opening on which the SecuraLift® can be installed is 6000mm wide by 2400mm high or with an optional extension kit - 5500mm wide by 2700mm high. Door surface area must not exceed 15m². The door must be well balanced. A person should be able to lift the door up manually with very little effort in case of an emergency.
 2. Intermittent operations may occur in areas which experience very strong winds. Strong wind puts extra pressure on the door and tracks which may in turn trigger the safety obstruction detection system intermittently.

TROUBLE SHOOTING

SYMPTOM	POSSIBLE CAUSE	REMEDY
Door will not operate.	Mains power not switched on. Door is obstructed. Door is locked or motor jammed. Door tracks/hardware damaged. The opener is in "Vacation Mode"	Switch on mains power. Remove obstruction. Unlock door or remove jam. Door requires service/repair by qualified technician. Turn off "Vacation Mode"
Door starts to close but automatically reverses to open position.	Adverse weather conditions (wind or cold) causing door to stiffen and become tight in the tracks. Possible obstruction in the doorway.	Increase force margin setting and/or re-initialize the door. See Step 17 on page 15. Remove obstruction.
Door operates from drive unit (OPERATE) button but not from transmitter.* See note.	Transmitter code not stored in memory. Flat Battery. Broken battery lead inside transmitter.	Code transmitter in to openers memory. Refer Step 18.1 on page 16. Replace battery - A23 Alkaline 12V. Send transmitter to installer or ATA for repair.
Door will not close fully.	Door limits positions need to be reset.	Reset limits positions. Step 15 Page 13.
Door will not open fully.	Door limits positions need to be reset.	Reset limits positions. Step 15 Page 13.
Courtesy light not working.	Globe blown.	Replace globe - Edison Type 240V 60W.
Globe keeps blowing.	Incorrect globe voltage - must be 240V AC.	Replace globe - Edison Type 240V 60W.
Auto close not working.	PE Beam or wiring faulty PE Beam not aligned correctly. PE Beam is obstructed. Door obstructed when closing. Auto close time not set. Auto close mode not set.	Repair PE Beam or replace wiring. Re-align optics. Remove obstruction from the path of PE. Remove obstruction. See Step 22 on page 18. See Step 22 on page 18.

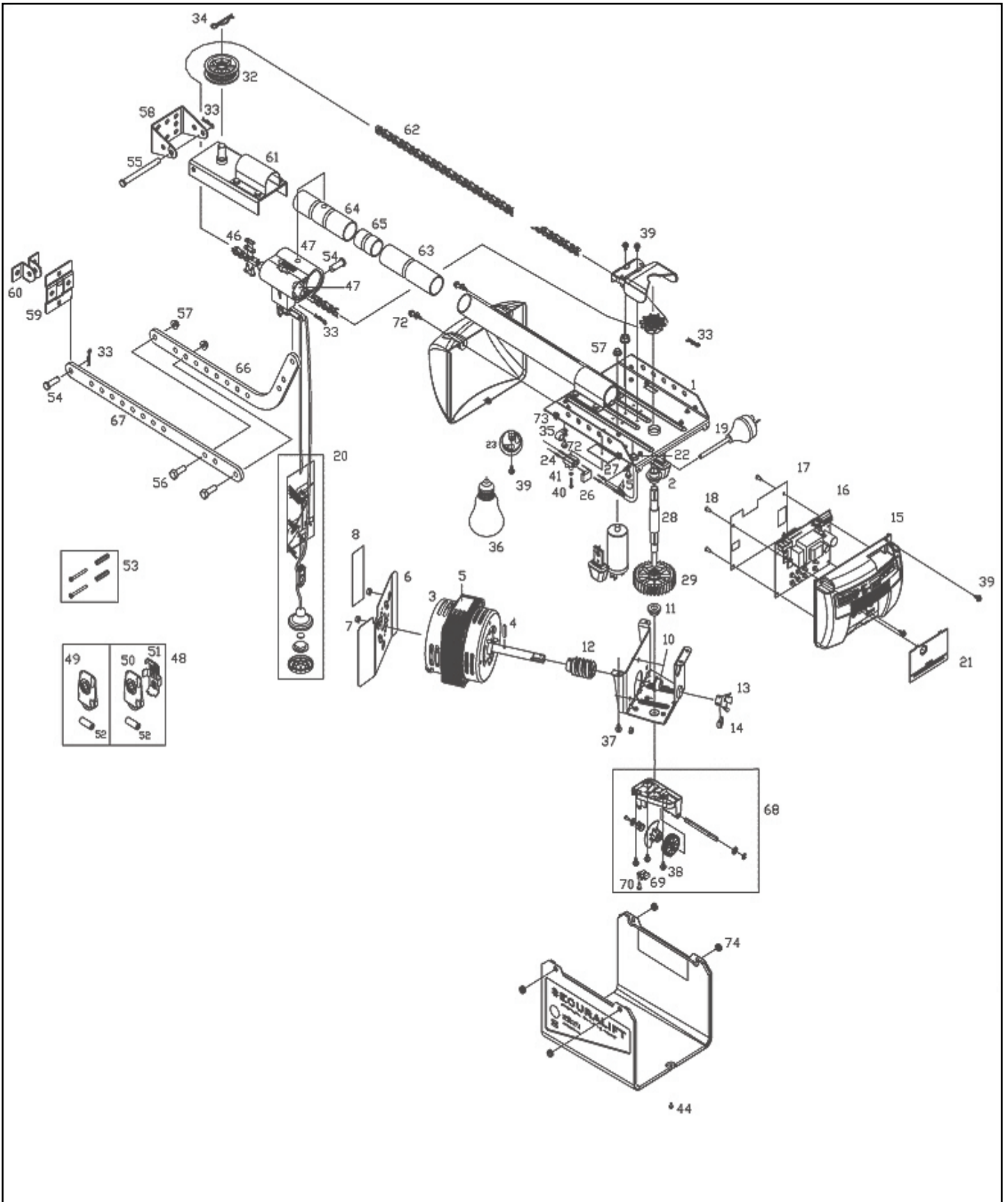
***Please Note:** Some areas may be prone to excessive radio interference brought on by devices such as cordless telephones, wireless stereo headphones and baby monitors. It is possible that these devices could cause a degree of interference such as to greatly reduce the range of the transmitter. In such an instance please contact your ATA dealer for an alternative frequency replacement kit. As this is not a warrantable situation but an environmental issue charges may apply for the change-over.

PARTS LIST

**WHEN ORDERING SPARE PARTS PLEASE QUOTE THE ORDER CODE
NUMBER TO YOUR INSTALLER/DEALER**

Item No.	Description	Order Code	Item No.	Description	Order Code
1	BASE PLATE SUB ASSEMBLY-----	02152	38	PAN SERRATION HEAD SCREW M4x12-----	10380
2	BUSH 127ID 18-----	04261	39	PAN HEAD SCREW W/WASHER M4x10-----	10340
3	AC MOTOR IT 0.24kW-----	14423	40	PAN HEAD SCREW M3x14-----	10360
4	SEL-LOCK PIN SPRING ACP M4x20-----	02590	41	INTERNAL TOOTH LOCK WASHER I.D.3-----	11150
5	LABEL THERMALLY PROTECTED-----	13620	42	COVER ASSY GDO-7-----	01599
6	COVER PROTECTION-----	13790	43	LIGHT DIFFUSER-----	13902
7	HEX NUT W/INT TOOTH WASHER M5-----	10881	44	TAPTITE SCREW 'P' BLACK M3.5x6-----	10542
8	LABEL 240V 60 WATT GDO-2-----	13630	45	PAN HEAD SCREW W/WASHER M4x8-----	10320
9	MOTOR BRACKET GDO-7-----	13776	46	CHAIN JOINT LINK-----	02950
10	BUSH 127 17-10-----	04271	47	SHUTTLE ASSEMBLY-----	00273
11	BUSH ID 10x10-----	04290	48	SECURA PTX-4 & WALL SWITCH PACK-----	01220
12	WORM 2520 2S-ST-----	04932	49	TRANSMITTER GREY BUTTONS PTX-4-----	01210
13	CHOPPER WHEEL GDO-7-----	04951	50	TRANSMITTER RED BUTTONS PTX-4-----	01211
14	CHOPPER CLIP-----	04960	51	PTX HOLDER-----	05196
15	BOARD HOUSING SUB ASSY-----	01586	52	ALKALINE BATTERY A23 12V-----	13030
16	CONTROL BOARD CB-18 V1-----	01020	53	PLASTIC WALL PLUG PACK-----	01479
17	BOARD SHIELD-----	14053	54	CLEVIS PIN DIAMETER 8-----	02550
18	TAPTITE SCREW 'P' M4x8-----	10580	55	PIN-----	05790
19	POWER CORD 1.5M W 2PIN+1 RING-----	14150	56	HEX HEAD SCREW M8x25-----	10110
20	EASY ACCESS TRANSMITTER PACK-----	01236	57	HEX SERRATION FLANGE NUT M8-----	10148
21	CONTROLS LID-----	05108	58	WALL BRACKET-----	02521
22	CORD GRIP GROMMET SBR5-2-----	05605	59	DOOR BRACKET-----	02511
23	LAMP HOLDER LS 204-1-----	05761	60	DOOR BRACKET LOCATOR-----	02515
24	TERMINAL BLOCK 500/02DS 2 POS-----	05421	61	SUPPORT PIPE CX ASSEMBLY-----	00292
25	HARNESS ASSY CB-7 (NOT SHOWN)-----	14441	62	CHAIN 1/2"x1/8" (499 LINKS) W/2 CL-----	03000
26	CAP POLYFILM 0.1 uF K X2 275 VAC-----	07575	63	TUBE 338605-----	13801
27	TERMINAL BLOCK SHIELD-----	14056	64	INDEX TUBE 338605-----	13811
28	DRIVE SHAFT Q-C-----	04542	65	TUBE-INSERT 2970-----	13830
29	HELICAL GEAR 34209-----	04941	66	BENT ARM-----	02800
30	SPROCKET 8T OCTAGONAL-----	04685	67	STRAIGHT ARM-----	02790
31	CAP MOTOR 15.0 uF 440 VAC 3k Hr-----	14402	68	RATCHET TIMING ASSEMBLY-----	01737
32	CHAIN IDLE WHEEL-----	02962	69	SENSOR ASSEMBLY-----	01689
33	SNAP PIN SSP 8 ZNU 31080-----	10720	70	TAPTITE SCREW 'P' M3x12-----	10553
34	SNAP PIN SSP 12 ZNU 31120-----	10730	71	VIBRATION ISOLATOR-----	02530
35	CABLE CLAMP ACC-15 (3/16")-----	11750	72	PAN HEAD SCREW W/WASHER M4x10-----	10340
36	GLOBE 250V 60W-----	14120	73	SHOULDER SCREW 5-M4x9L-----	10601
37	PAN HEAD SCREW W/WASHER M5x10-----	10281	74	GROMMET 5.2x8.0x4.5-----	05604

PARTS LIST



WARRANTY AND EXCLUSION OF LIABILITY

1. This warranty is an addition to any non-excludable conditions or warranties that are implied into this contract by relevant statute, including the Trade Practices Act 1974 (Cth).
2. Subject to all of the matters set out below, Automatic Technology Australia Pty Ltd ("ATA") warrants:
 - (a) swing and sliding gate opener drive units for twelve (12) months or 2500 cycles, whichever occurs first;
 - (b) roll-up and overhead door opener drive units for twenty four (24) months or 5000 cycles, whichever occurs first; and
 - (c) all components and accessories for twelve (12) months, from the date of purchase (specified in the sales docket receipt) as free of any defects in material and workmanship.
3. This warranty applies only where the purchaser:
 - (a) immediately notifies ATA or the retailer of the alleged defect;
 - (b) returns the product to the retailer; and
 - (c) presents the relevant sales docket and this warranty document to the retailer to confirm the date of purchase.
4. Except for this warranty, ATA gives no warranties of any kind whatsoever (whether express or implied), in relation to the product, and all warranties of whatsoever kind relating to the product are, to the extent permissible by statute, hereby excluded.
5. To the extent permissible by statute, ATA disclaims any liability of whatsoever nature in respect of any claim or demand for loss or damage which arises out of:
 - a) accidental damage to or normal wear and tear to the product or to the product's components;
 - b) any cost relating to damage resulting from wear and tear;
 - c) blown fuses, loss or damage caused by electrical surges, power surges or power spikes;
 - d) loss or damage due to theft, fire, flood, rain, water, lightning, storms or any other acts of God;
 - e) maximum continuous operating time exceeding one (1) minute in ten (10);
 - f) maximum operating force exceeding 15Kg (150N) when moving the door or gate manually to the open or closed position;
 - g) door surface area and/or weight exceeding 15m² and 100Kg respectively;
 - h) residential gate weight exceeding 400Kg;
 - i) door or gate not in safe and correct working order and condition;
 - j) evidence of unauthorised repairs;
 - k) any cost relating to damage caused by misuse, negligence or failure to maintain the equipment in a proper working order as per clauses (d) through (i);
 - l) installation, adjustment or use which is not in accordance with the instructions set out in installation instruction manual
 - m) attempted or complete modification or repairs to the product carried out by a person who is not authorised or has not been trained by ATA to carry out such modification or repairs;
 - n) faulty or unsuitable wiring of structure to which the product is fixed or connected;
 - o) radio (including citizen band transmission) or any electrical interference;
 - p) damage caused by insects;
 - q) loss or damage to any property whatsoever or any loss or expense whatsoever resulting or arising there from or any consequential loss;
 - r) any cost or expense arising due to manufacturer recall of any product;
 - s) any cost or expense due to negligence of the approved service provider;
 - t) installation of a residential garage door or gate opener in a commercial or industrial situation or a non-single residential dwelling.
6. ATA's liability under this warranty is limited, at ATA's absolute option, to replacing or repairing the product which ATA, in its unfettered opinion, considers to be defective either in material and/or workmanship or to credit the dealer with the price at which the product was purchased by the dealer.
7. This warranty does not extend to cover labour for installation.
8. This warranty is limited to Return-to-Base (RTB) repair and does not cover labour for on-site attendance.
9. This warranty is void if the Product is not returned to the manufacturer in original or suitably secure packaging.
10. This warranty is only applicable for repairs to the product carried out within Australia.
11. This warranty does not cover consumable items including globes, batteries and fuses.
12. This warranty is not transferable.
13. Where the Product is retailed by any person other than ATA, except for the warranty set out above, such person has no authority from ATA to give any warranty or guarantee on ATA's behalf in addition to the warranty set out above.

Notes:

1. One (1) cycle = one (1) open and one (1) close action of the door or gate.
2. This warranty is to be read in conjunction with the owner's copy of the installation instruction manual.

AUTOMATIC TECHNOLOGY PTY LTD

ABN 11 007 125 368

6-8 Fiveways Bvd, Keysborough, Victoria, Australia 3173

Tel: +61 3 9791 0200 Fax: +61 3 9791 0250

Web: www.ata-aust.com.au Email: sales@ata-aust.com.au